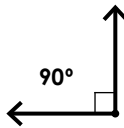
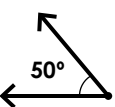
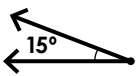

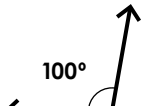
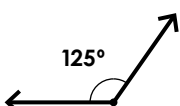


Name: \_\_\_\_\_

## Cut-and-Glue: Supplementary Angles


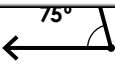
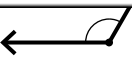
Cut out the angle tiles at the bottom of the page. Glue each angle into the box next to its supplement.

 $90^\circ$		 $50^\circ$		 $15^\circ$	
 $110^\circ$		 $100^\circ$		 $125^\circ$	




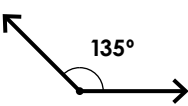
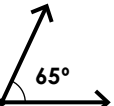
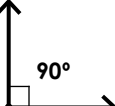
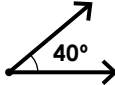
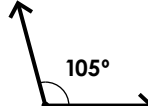
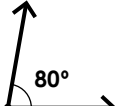
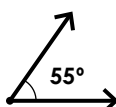
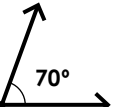
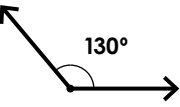
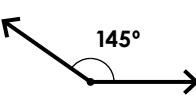
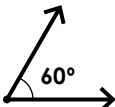
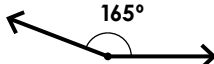
# Preview

Please log in to download the printable version of this worksheet.

 $15^\circ$		 $75^\circ$		 $15^\circ$	
---	--	--	--	--	--

Super Teacher Worksheets - [www.superteacherworksheets.com](http://www.superteacherworksheets.com)

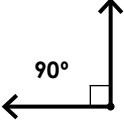
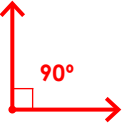
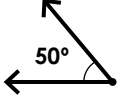
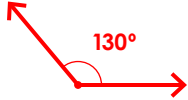
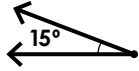
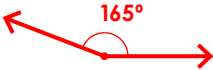
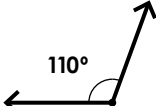
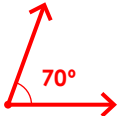
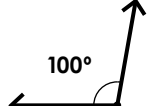
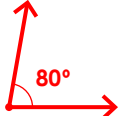
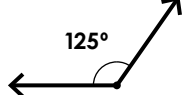
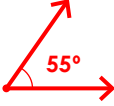


 $135^\circ$	 $65^\circ$	 $90^\circ$	 $40^\circ$	 $105^\circ$	 $80^\circ$
 $55^\circ$	 $70^\circ$	 $130^\circ$	 $145^\circ$	 $60^\circ$	 $165^\circ$

# ANSWER KEY

## Cut-and-Glue: Supplementary Angles



Cut out the angle tiles at the bottom of the page. Glue each angle into the box next to its supplement.



# Preview

Please log in to download the printable version of this worksheet.

					
---	---	---	--	---	---