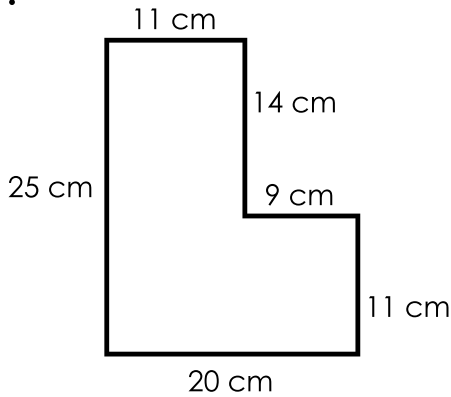


Name: _____

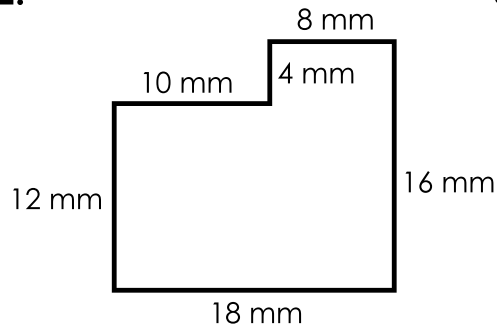
Area of an Irregular Shape

Find the area of each shape. Remember to include units in your answer.

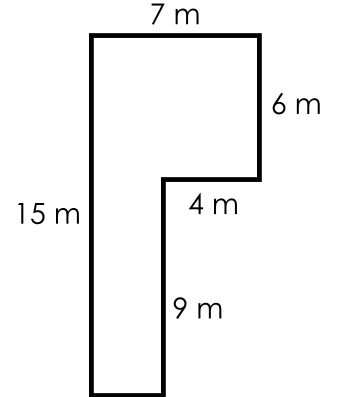
1.



2.

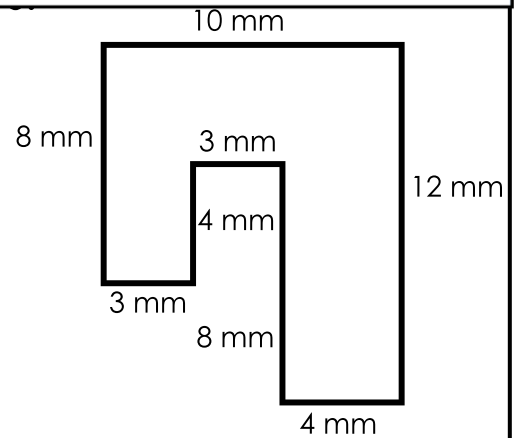
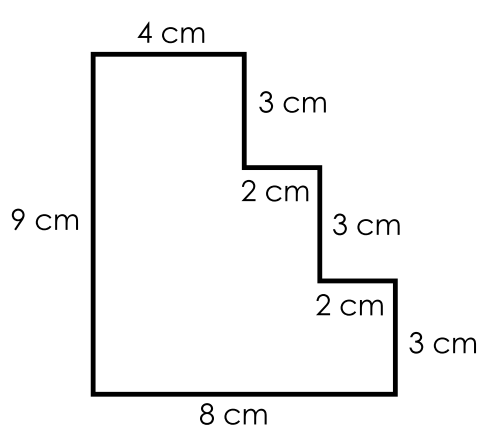
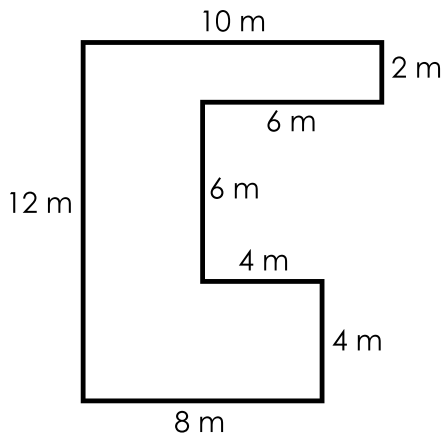


3.



Preview

Please log in to download the printable version of this worksheet.



answer: _____

answer: _____

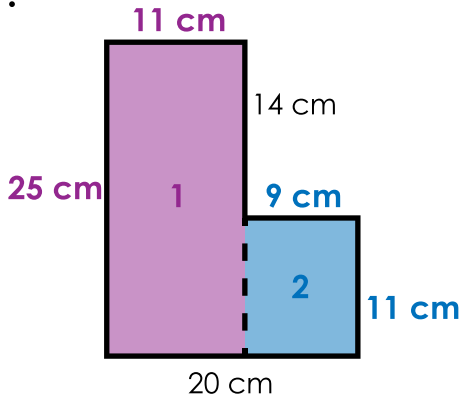
answer: _____

ANSWER KEY

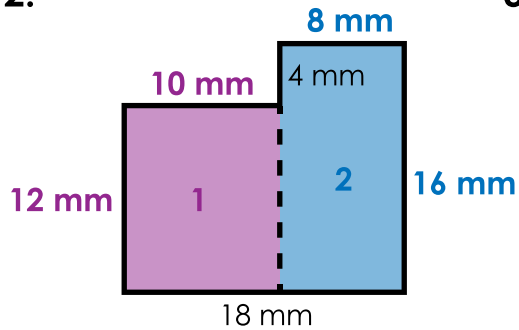
Area of an Irregular Shape

Find the area of each shape. Remember to include units in your answer.
Note to teacher: Shapes may be divided differently.

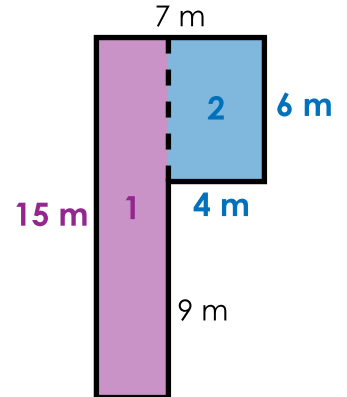
1.



2.

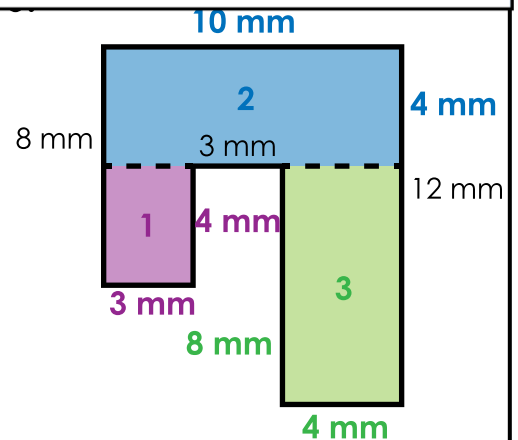
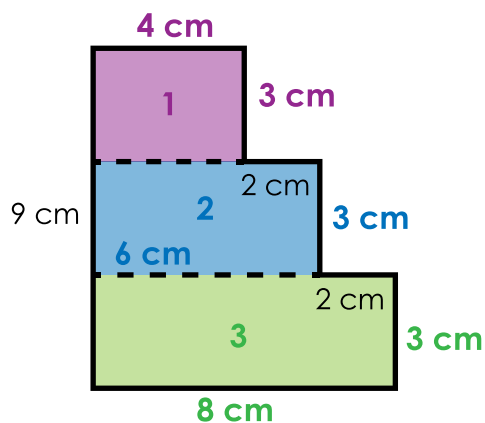
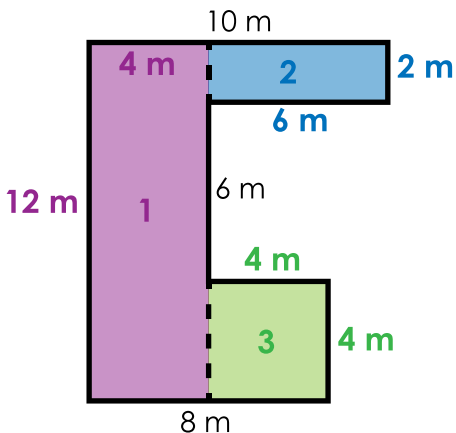


3.



Preview

Please log in to download the printable version of this worksheet.



answer: 76 m²

answer: 54 cm²

answer: 84 mm²