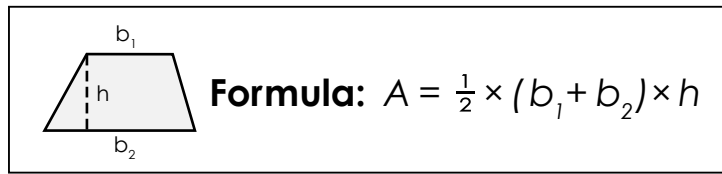


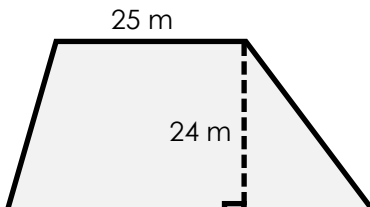
Name: _____

Area of a Trapezoid

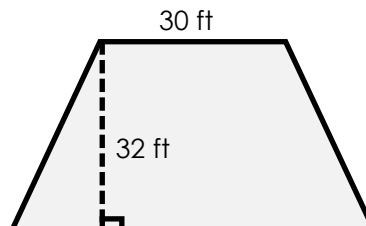


Find the area of each trapezoid.

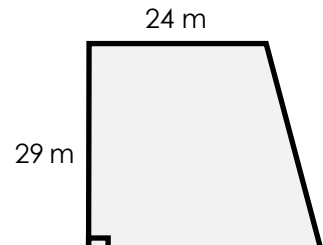
a.



b.

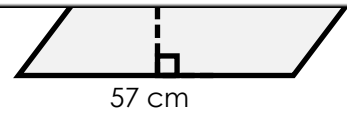
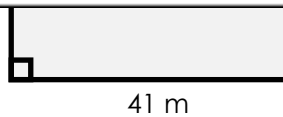
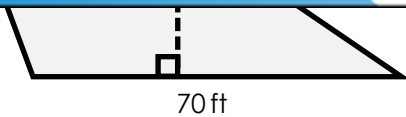


c.



Preview

Please log in to download the printable version of this worksheet.

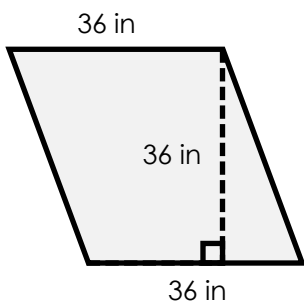


area = _____

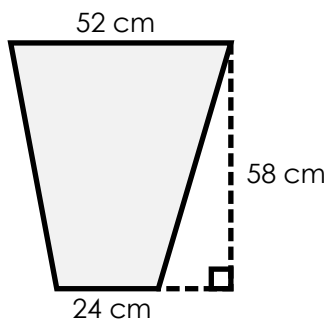
area = _____

area = _____

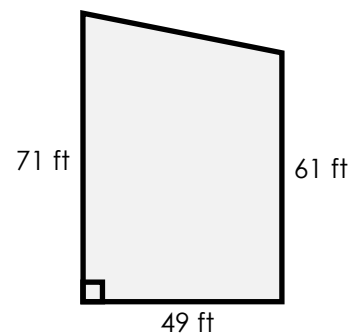
g.



h.



i.



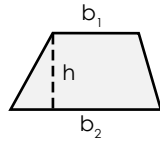
area = _____

area = _____

area = _____

ANSWER KEY

Area of a Trapezoid



Formula: $A = \frac{1}{2} \times (b_1 + b_2) \times h$

Find the area of each trapezoid.

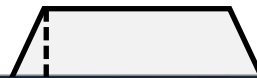
a.

25 m



b.

30 ft



c.

24 m



Preview

Please log in to download
the printable version of this worksheet.

