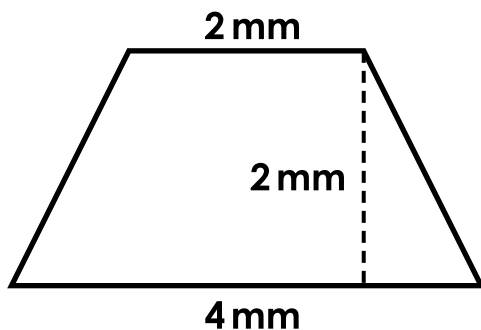


1.

Area of a Trapezoid

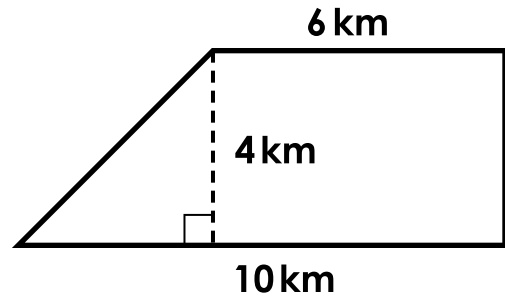
Find the **area** of the trapezoid. Remember to include the units in your answer.



2.

Area of a Trapezoid

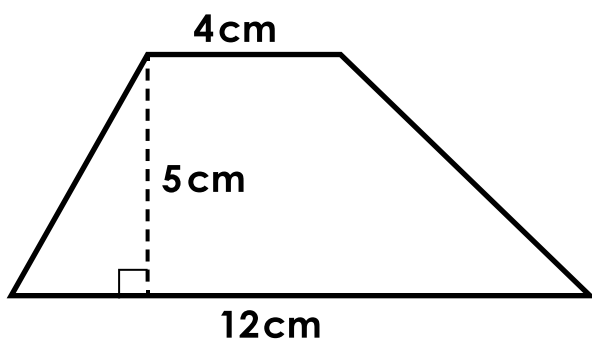
Find the **area** of the trapezoid. Remember to include the units in your answer.



Preview

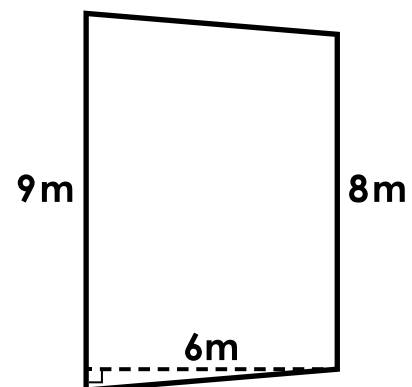
Please log in to download the printable version of this worksheet.

Find the **area** of the trapezoid. Remember to include the units in your answer.



area = _____

Find the **area** of the trapezoid. Remember to include the units in your answer.

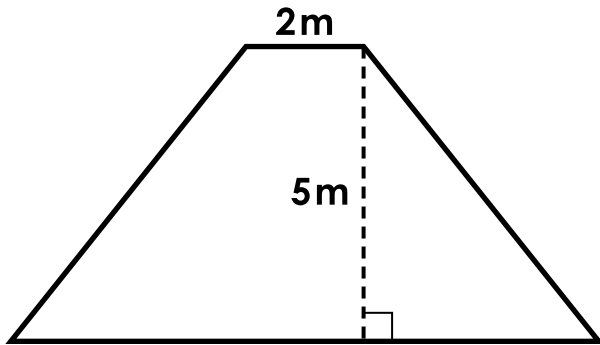


area = _____

5.

Area of a Trapezoid

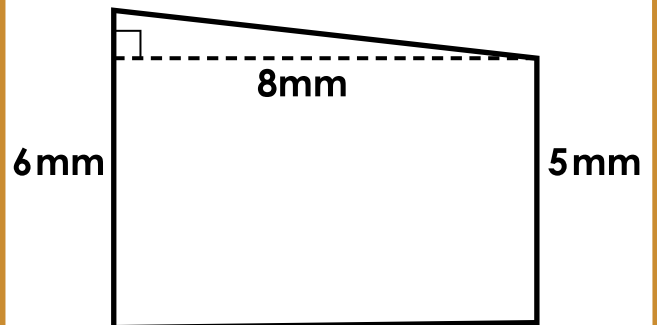
Find the **area** of the trapezoid. Remember to include the units in your answer.



6.

Area of a Trapezoid

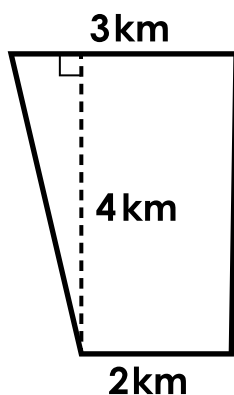
Find the **area** of the trapezoid. Remember to include the units in your answer.



Preview

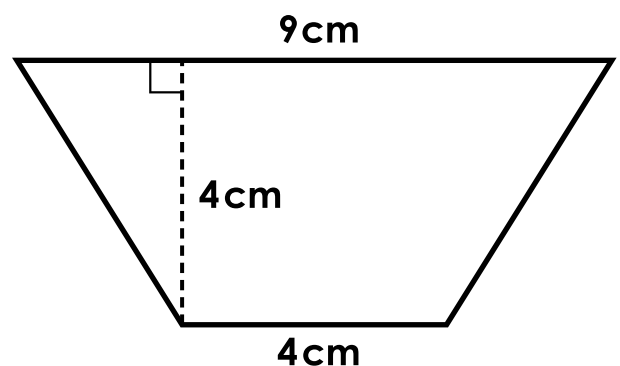
Please log in to download the printable version of this worksheet.

Find the **area** of the trapezoid. Remember to include the units in your answer.



area = _____

Find the **area** of the trapezoid. Remember to include the units in your answer.

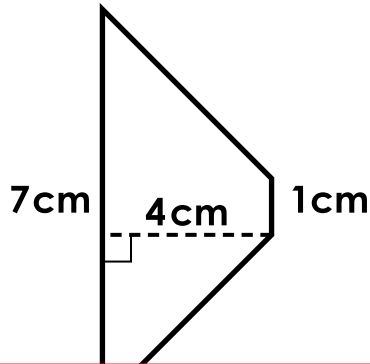


area = _____

9.

Area of a Trapezoid

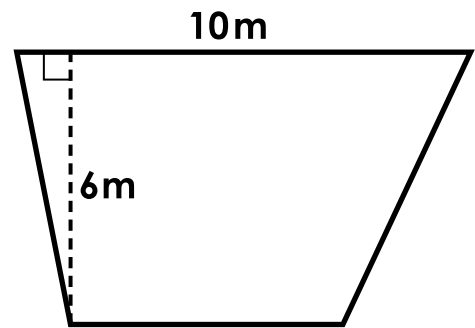
Find the **area** of the trapezoid. Remember to include the units in your answer.



10.

Area of a Trapezoid

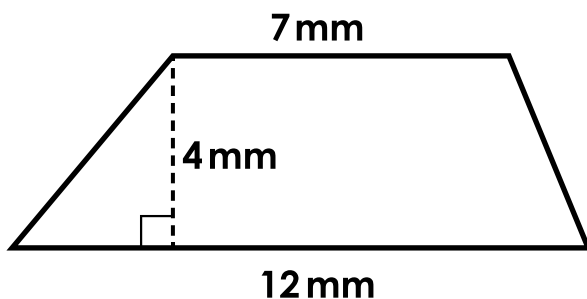
Find the **area** of the trapezoid. Remember to include the units in your answer.



Preview

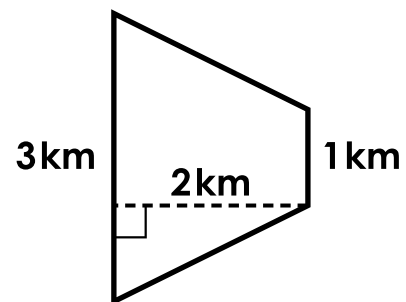
Please log in to download the printable version of this worksheet.

Find the **area** of the trapezoid. Remember to include the units in your answer.



area = _____

Find the **area** of the trapezoid. Remember to include the units in your answer.

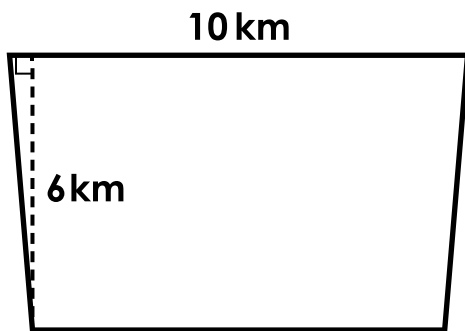


area = _____

13.

Area of a Trapezoid

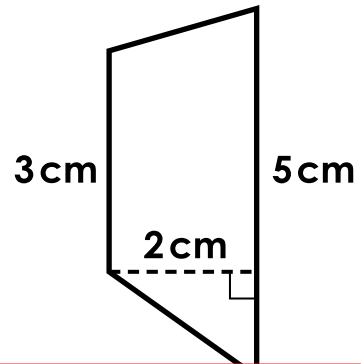
Find the **area** of the trapezoid. Remember to include the units in your answer.



14.

Area of a Trapezoid

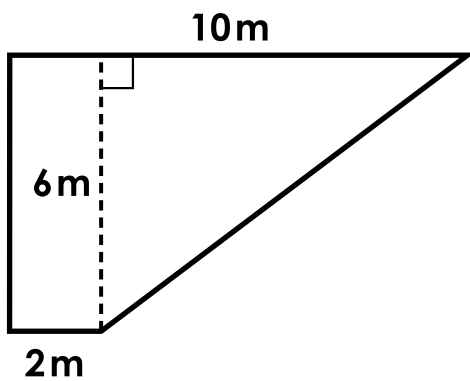
Find the **area** of the trapezoid. Remember to include the units in your answer.



Preview

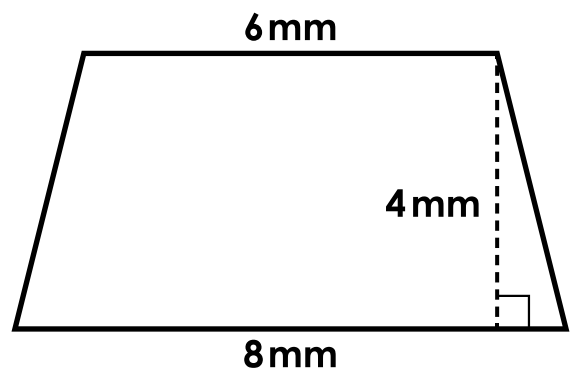
Please log in to download the printable version of this worksheet.

Find the **area** of the trapezoid. Remember to include the units in your answer.



area = _____

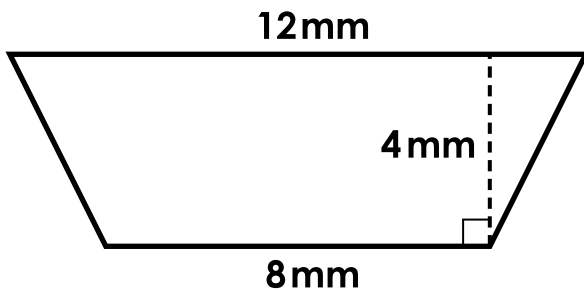
Find the **area** of the trapezoid. Remember to include the units in your answer.



area = _____

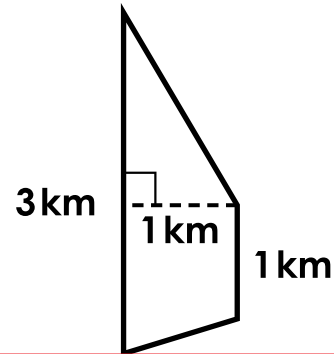
17. Area of a Trapezoid

Find the **area** of the trapezoid. Remember to include the units in your answer.



18. Area of a Trapezoid

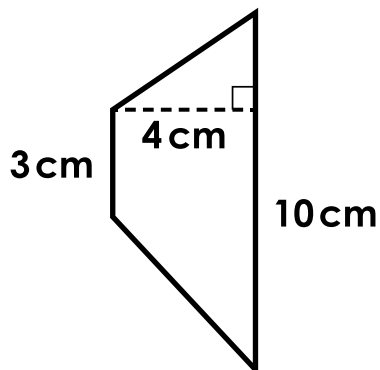
Find the **area** of the trapezoid. Remember to include the units in your answer.



Preview

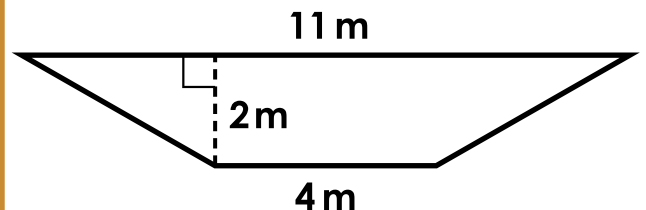
Please log in to download the printable version of this worksheet.

Find the **area** of the trapezoid. Remember to include the units in your answer.



area = _____

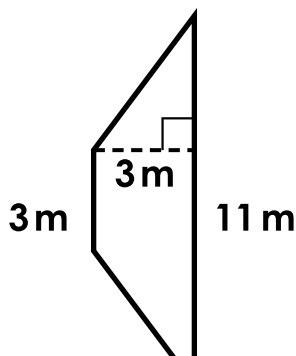
Find the **area** of the trapezoid. Remember to include the units in your answer.



area = _____

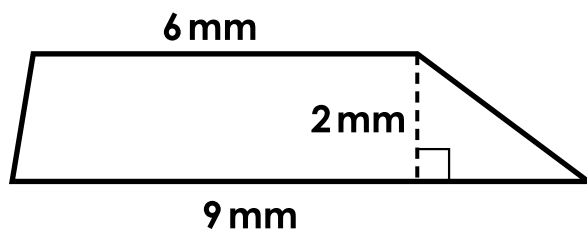
21. Area of a Trapezoid

Find the **area** of the trapezoid. Remember to include the units in your answer.



22. Area of a Trapezoid

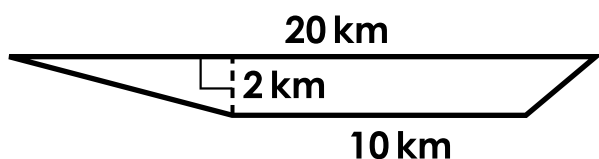
Find the **area** of the trapezoid. Remember to include the units in your answer.



Preview

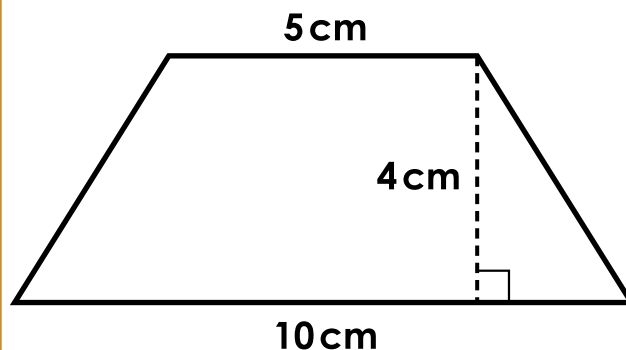
Please log in to download the printable version of this worksheet.

Find the **area** of the trapezoid. Remember to include the units in your answer.



area = _____

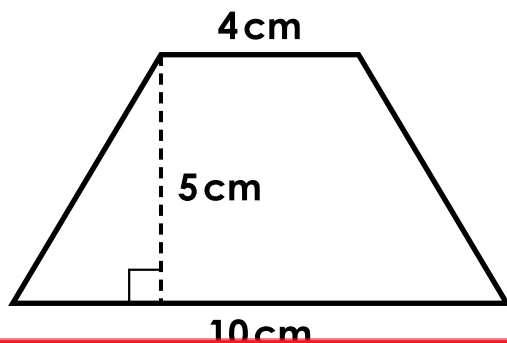
Find the **area** of the trapezoid. Remember to include the units in your answer.



area = _____

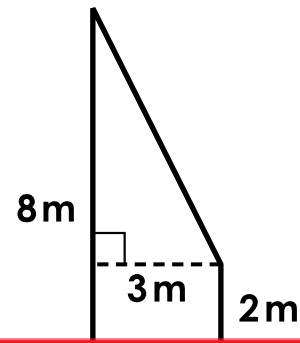
25. Area of a Trapezoid

Find the **area** of the trapezoid. Remember to include the units in your answer.



26. Area of a Trapezoid

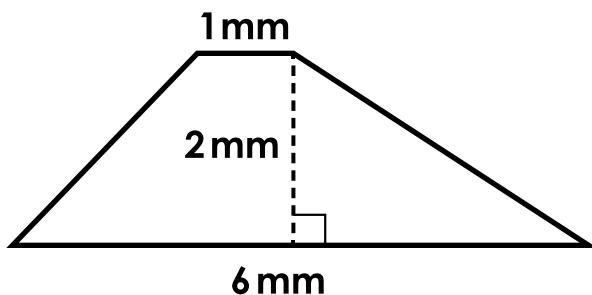
Find the **area** of the trapezoid. Remember to include the units in your answer.



Preview

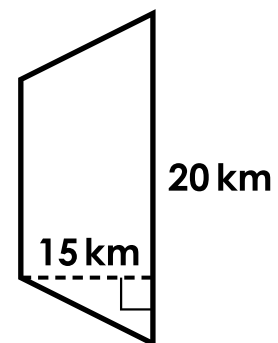
Please log in to download the printable version of this worksheet.

Find the **area** of the trapezoid. Remember to include the units in your answer.



area = _____

Find the **area** of the trapezoid. Remember to include the units in your answer.



area = _____

29.

Area of a Trapezoid

Find the **area** of the trapezoid. Remember to include the units in your answer.

30.

Area of a Trapezoid

Find the **area** of the trapezoid. Remember to include the units in your answer.



Preview

Please log in to download the printable version of this worksheet.

area = _____

area = _____

Name: _____

Task Cards: Area of a Trapezoid

1. area = _____

16. area = _____

2. area = _____

17. area = _____

Preview

Please log in to download
the printable version of this worksheet.



14. area = _____

29. area = _____

15. area = _____

30. area = _____

ANSWER KEY

Task Cards: Area of a Trapezoid

1. area = 6 mm²

16. area = 28 mm²

2. area = 32 km²

17. area = 40 mm²

Preview

Please log in to download
the printable version of this worksheet.



14. area = 8 cm²

29. area = 28 km²

15. area = 36 m²

30. area = 50 cm²

Task Cards: Area of a Trapezoid

This file contains 30 task cards.

There are countless ways to use task cards in your classroom.
Here are a few ideas:

Preview

Please log in to download
the printable version of this worksheet.



Have a parent, friend, or volunteer sit with individual students who need extra help. They can practice by solving the problems on the task cards together.