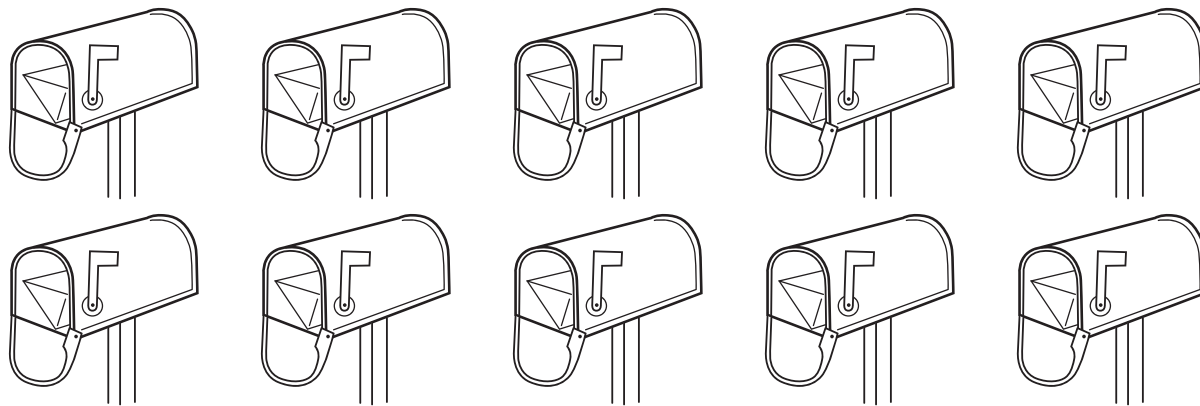


Name: _____

Community Helpers Math

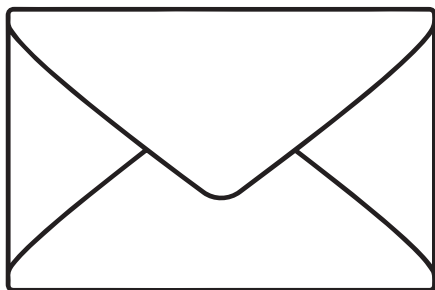
 Color **10** mailboxes.



Preview
Please log in to download the printable version of this worksheet.

How many mail carriers? _____ + _____ = _____

How many blocks long is the letter?



The letter is _____ blocks long.

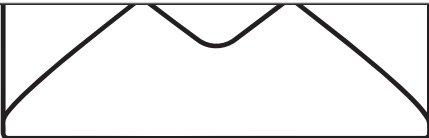
Community Helpers Math



Color **10** mailboxes.

Preview

Please log in to download
the printable version of this worksheet.



The letter is **3** blocks long.