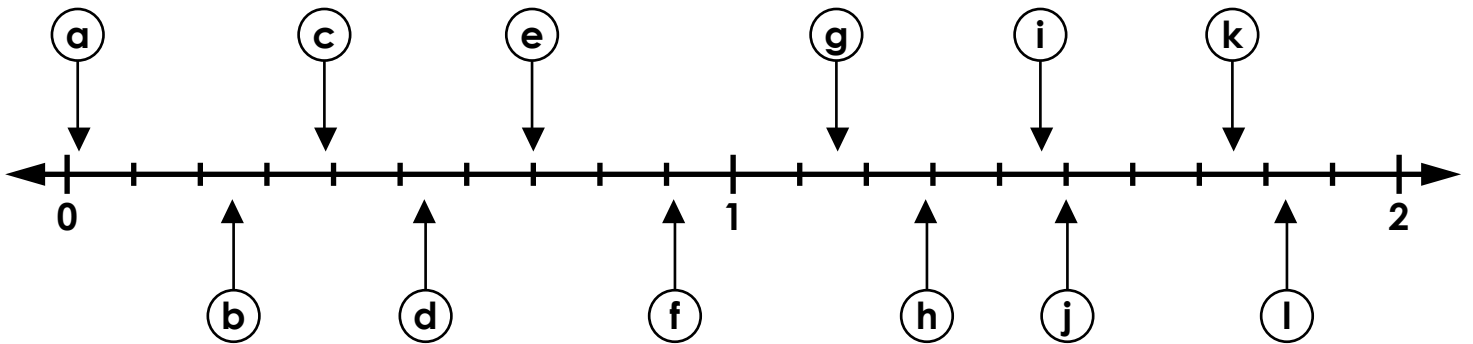


Name: _____

Decimal Number Line

Write the correct letter on the blank line next to each decimal.

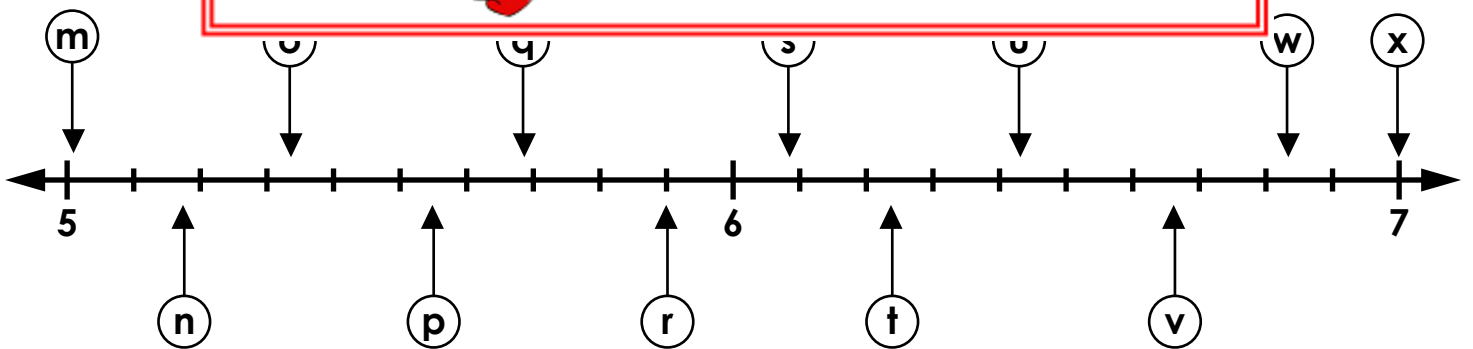


0.38 c 1.16 _____ 1.75 _____ 0.54 _____

0.70 _____ 1.47 _____ 0.02 _____ 1.50 _____

1.29 _____

PREVIEW
Please log in or register to download the printable version of this worksheet.



5.90 _____ 5.34 _____ 6.43 _____ 5.55 _____

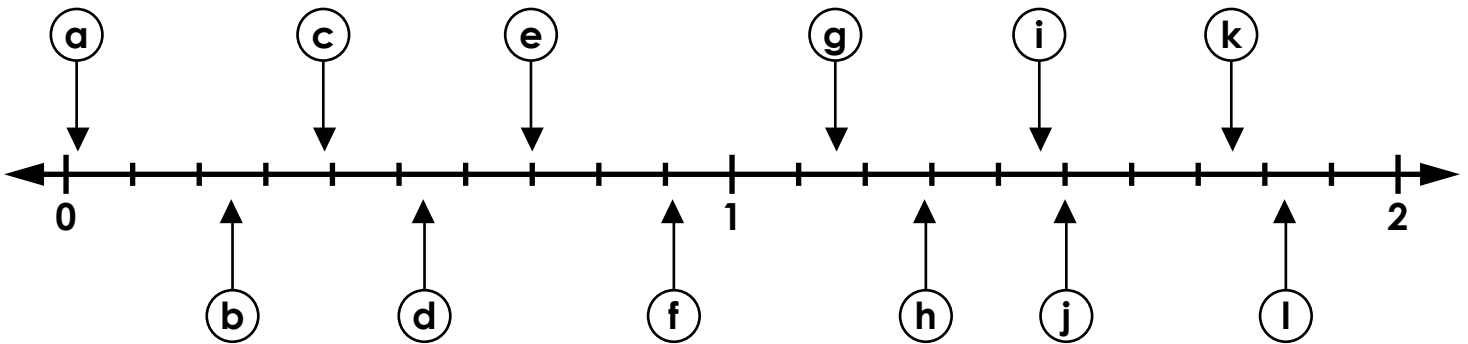
6.67 _____ 6.08 _____ 5.01 _____ 7.00 _____

5.17 _____ 6.83 _____ 5.69 _____ 6.24 _____

ANSWER KEY

Decimal Number Line

Write the correct letter on the blank line next to each decimal.

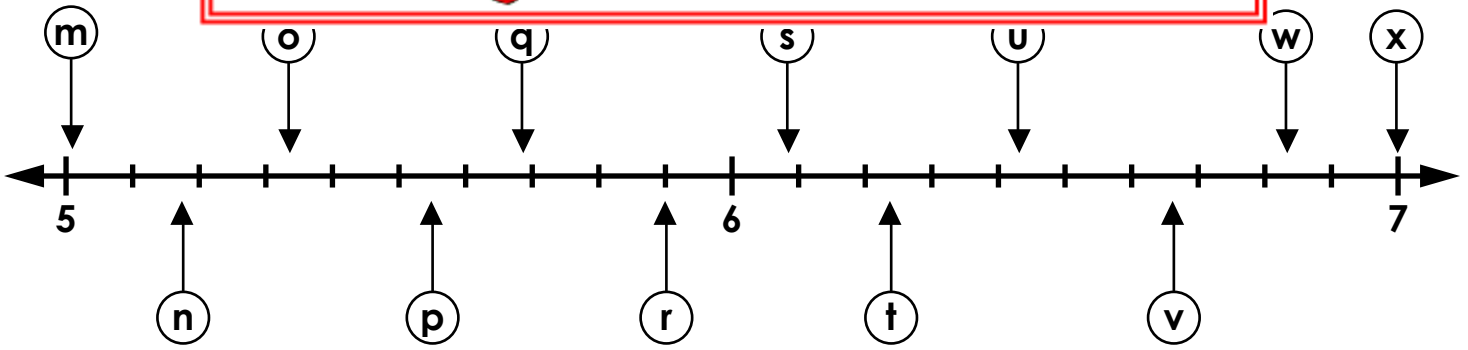


0.38 c 1.16 g 1.75 k 0.54 d

0.70 e 1.47 i 0.02 a 1.50 j

1.29 _____ f

PREVIEW
Please log in or register to download the printable version of this worksheet.



5.90 r 5.34 o 6.43 u 5.55 p

6.67 v 6.08 s 5.01 m 7.00 x

5.17 n 6.83 w 5.69 q 6.24 t