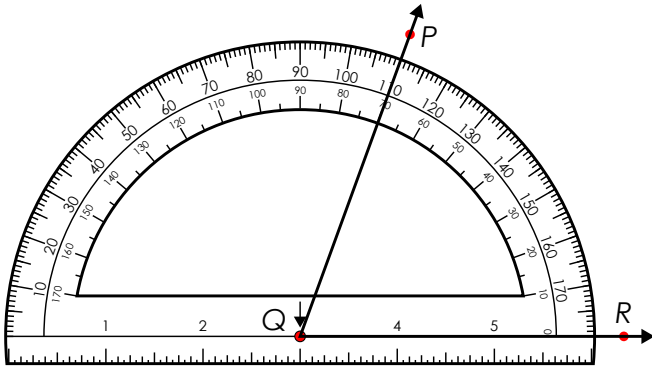


Name: _____

Using a Protractor



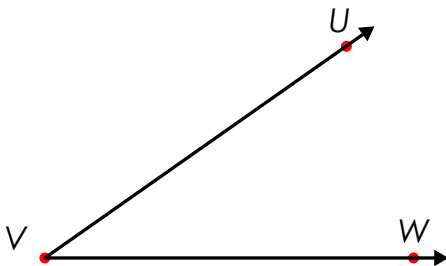
The protractor's arrow and pen hole is placed on the angle's vertex. The 0° line is placed over one side of the angle. Read the measure where the other leg of the angle intersects the protractor.

$\angle PQR$ measures 70°.

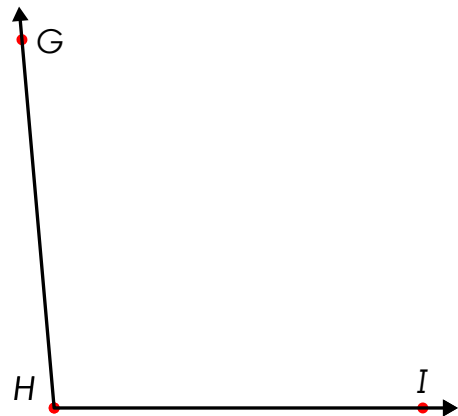


Preview

Please log in to download the printable version of this worksheet.



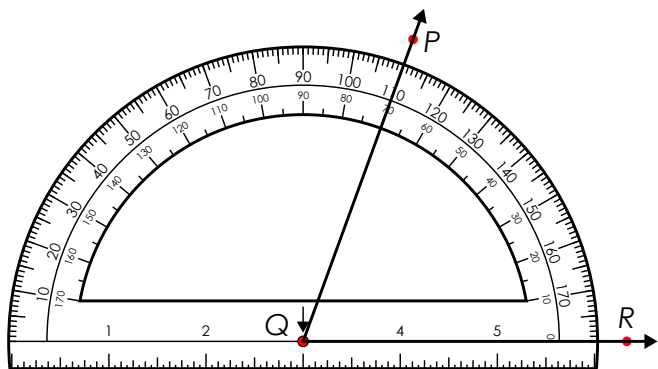
$\angle UVW =$ _____



$\angle GHI =$ _____

ANSWER KEY

Using a Protractor

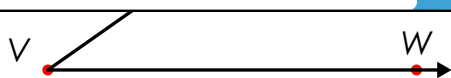


The protractor's arrow and pen hole is placed on the angle's vertex. The 0° line is placed over one side of the angle. Read the measure where the other leg of the angle intersects the protractor.

$\angle PQR$ measures 70° .

Preview

Please log in to download the printable version of this worksheet.



$$\angle UVW = \underline{35^\circ}$$



$$\angle GHI = \underline{95^\circ}$$