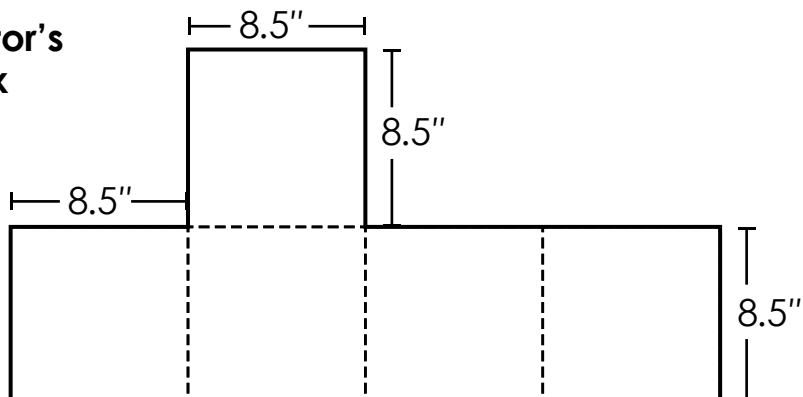


Name: _____

Surface Area

Hector needs to stain a wooden jewelry box he made for his daughter Maya. Below is the net of the jewelry box.

Net of Hector's jewelry box



Preview
Please log in to download the printable version of this worksheet.

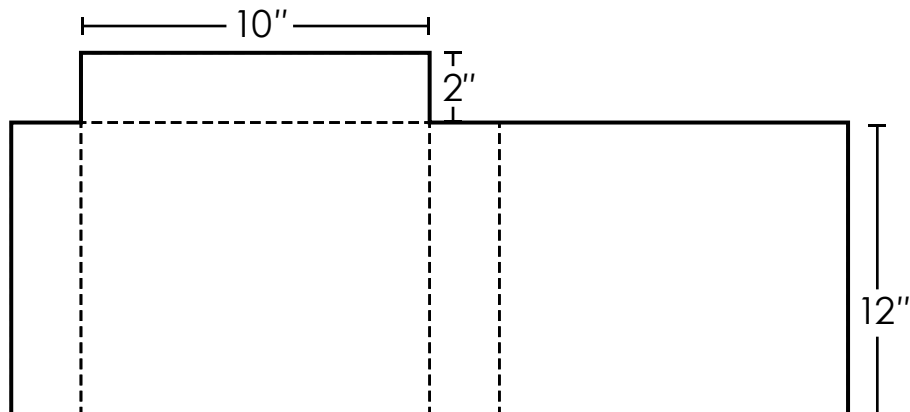
- b. 433.5
- c. 635.25
- d. 267.5

Name: _____

Surface Area

Padma's Pizza Parlor is designing a new party pizza box. Below is the net for their new pizza box.

**Net of Padma's
pizza box**



Preview

Please log in to download
the printable version of this worksheet.

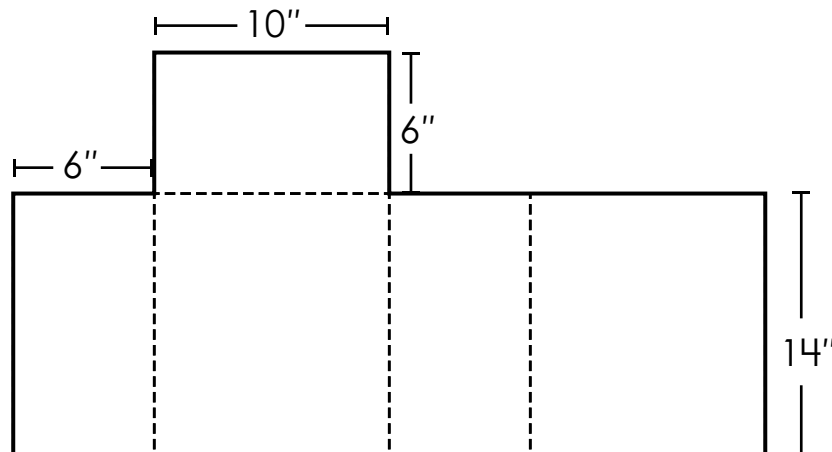
- b. 78
- c. 328
- d. 356

Name: _____

Surface Area

Shahina wanted to paint a wooden box to match her room. Below is the net of the box.

Net of the wooden box



Preview

Please log in to download the printable version of this worksheet.

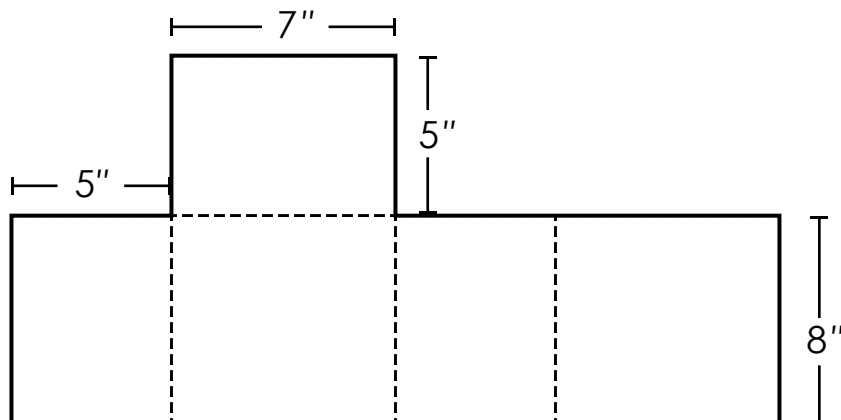
- b. 394
- c. 116
- d. 682

Name: _____

Surface Area

Inspired by Haudenosaunee raised beadwork, Oheo decorates a gift box using beads and velvet. Below is the net of the gift box.

Net of Oheo's gift box



Preview

Please log in to download the printable version of this worksheet.

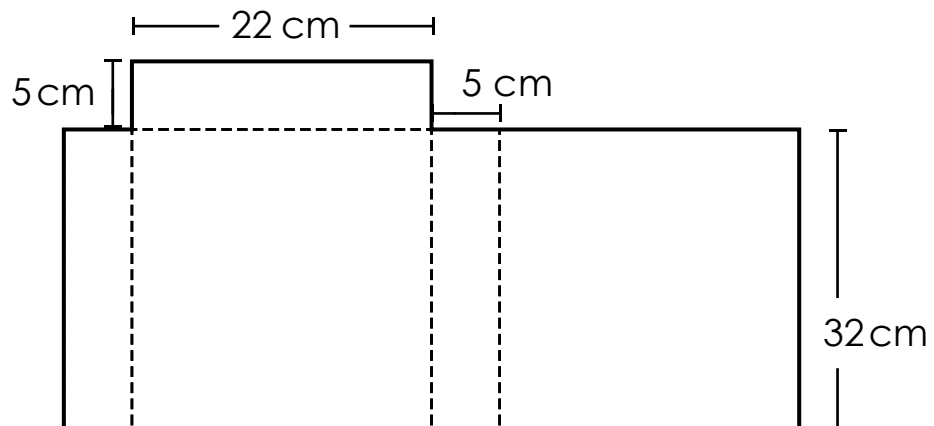
- b. 196
- c. 385
- d. 83

Name: _____

Surface Area

Tim's Toys is releasing a new action figure. They have to design a new box for the figure. Below is the net for the new box.

Net of action figure box



Preview

Please log in to download the printable version of this worksheet.

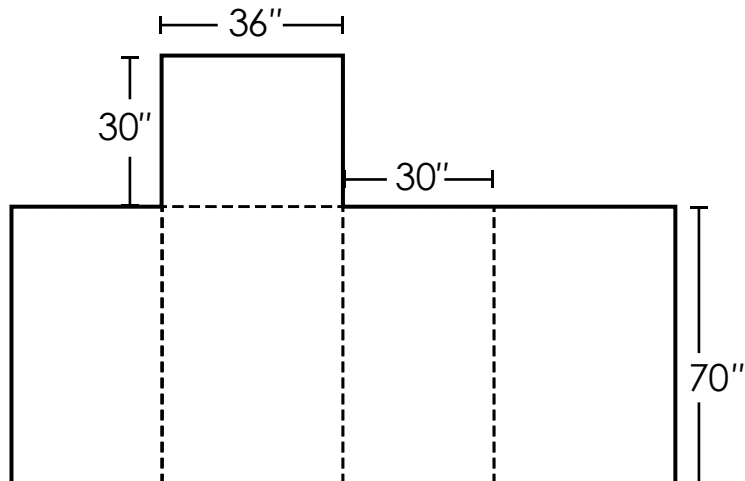
- b. 886
- c. 192
- d. 1,948

Name: _____

Surface Area

Koa wants to make a fort out of a refrigerator box. Below is a net of the refrigerator box.

Net of Koa's refrigerator box



Preview

Please log in to download the printable version of this worksheet.

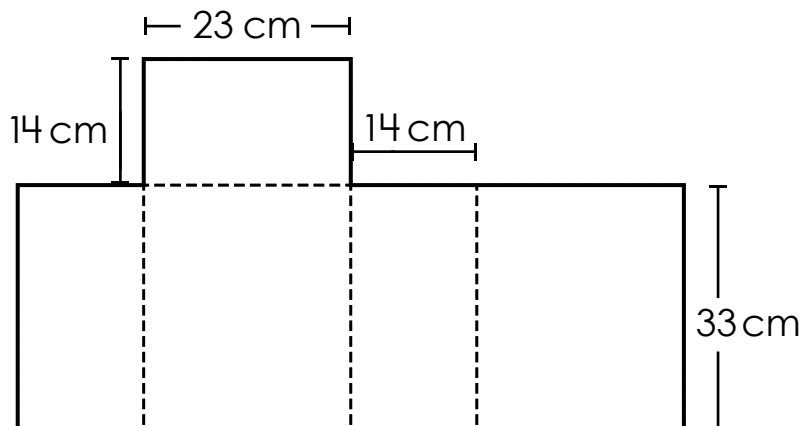
- b. 8,682
- c. 11,400
- d. 10,722

Name: _____

Surface Area

Parker is decorating a sneaker box to store his trading card collection.
Below is the net of the sneaker box.

**Net of Parker's
sneaker box**



Preview

Please log in to download
the printable version of this worksheet.

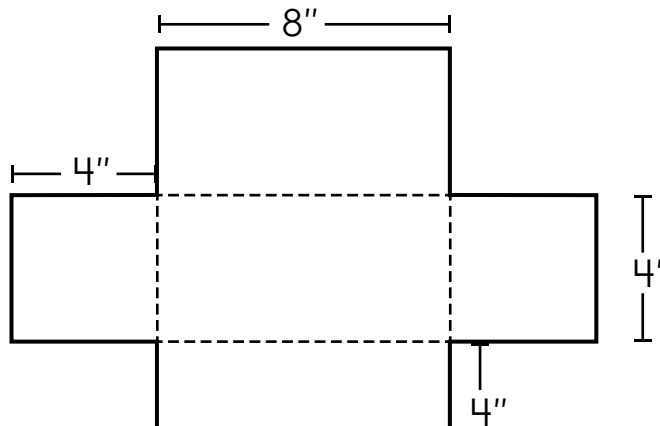
- b. 3,086
- c. 270
- d. 946

Name: _____

Surface Area

Bonita's Bakery needs to create an eye-catching new box that fits a dozen of their signature cookies. Below is a net of their box.

Net of the cookie box



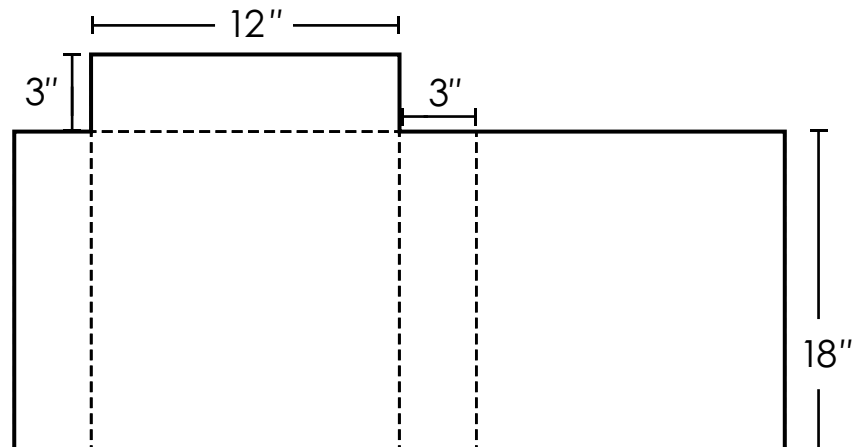
Preview
Please log in to download the printable version of this worksheet.

- b. 204
- c. 64
- d. 186

Surface Area

The chef needs to care for her chopping block by rubbing oil on it. Below is the net of the chopping block.

Net of
chopping block



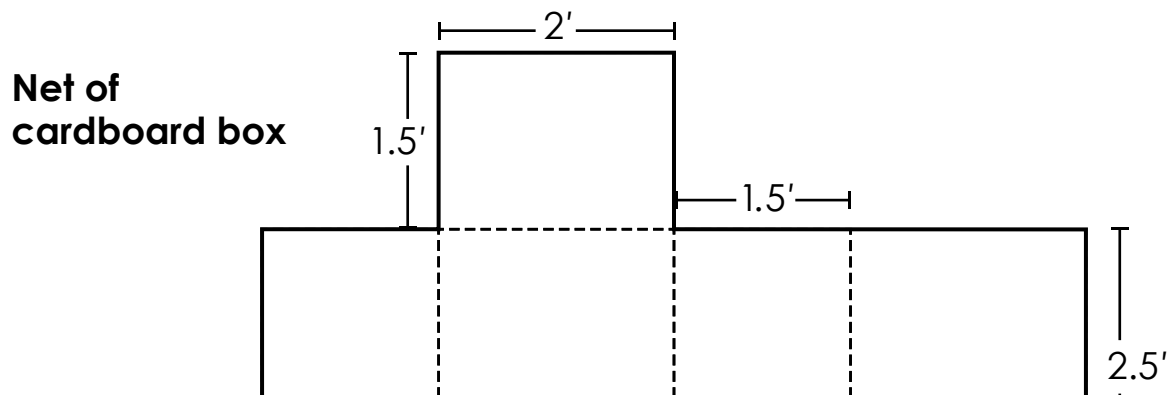
Preview

Please log in to download
the printable version of this worksheet.

- b. 568
- c. 406
- d. 612

Surface Area

Sunny High School's theater department needs the stage crew to turn a cardboard box into a treasure chest for their production of *Pirates*. Below is the net for the cardboard box.



Preview

Please log in to download
the printable version of this worksheet.

- a. 29.25
- b. 23.5
- c. 36.5
- d. 25.0

Surface Area

1.



2.

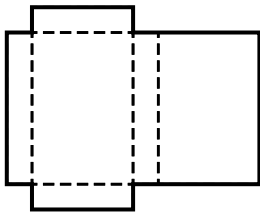


Preview

Please log in to download the printable version of this worksheet.

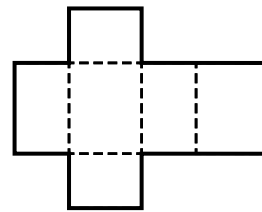


9.



d. 612

10.



b. 23.5