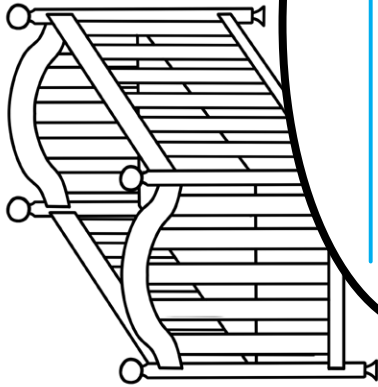

Name: _____



'cr' Words

