

Word Slider

Sight Words-Unit 5

Step 1

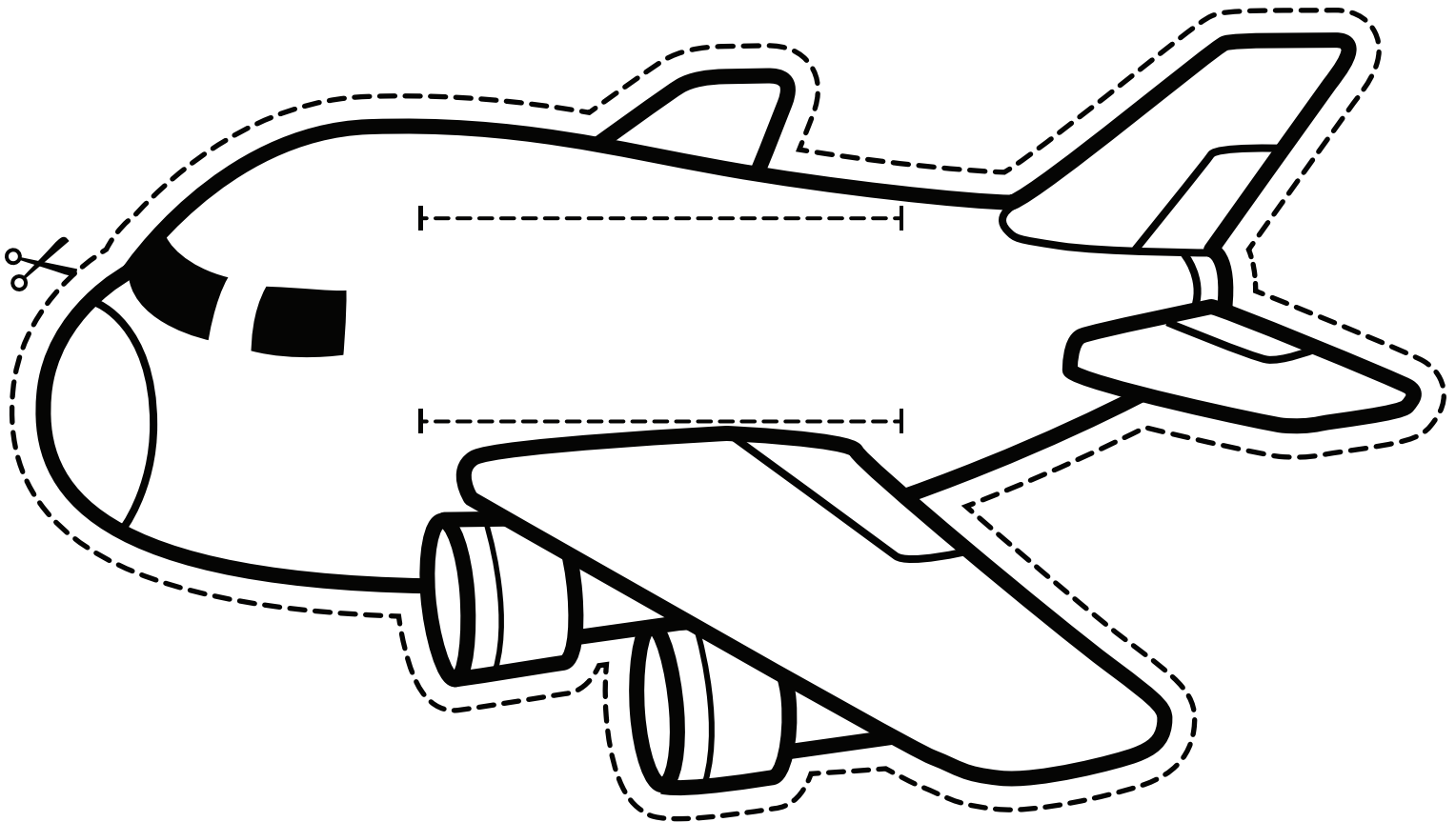
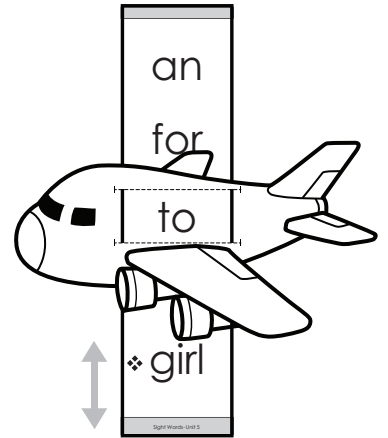
Print both pages of this file on card stock. Cut out the picture and letter strip.

Step 2

Make slits in the picture by cutting along the dotted lines in the center of the plane.

Step 3

Color your slider. Weave the letter strip through the plane. Students can slide the strip up and down to view words.



Word Slider

Sight Words-Unit 5



an

for

to

it

❖ girl

Sight Words-Unit 5