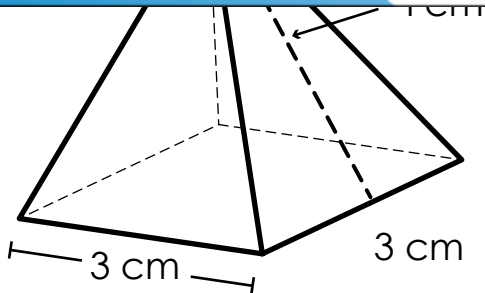
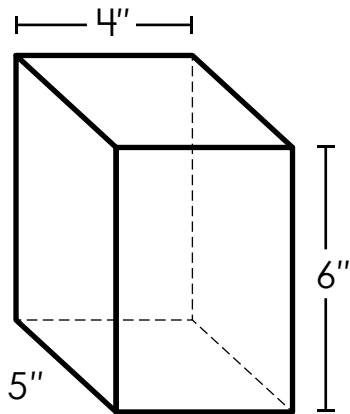


Name: \_\_\_\_\_

## Surface Area of Prisms and Pyramids

Find the surface area. Show your work and label your answer.

a.

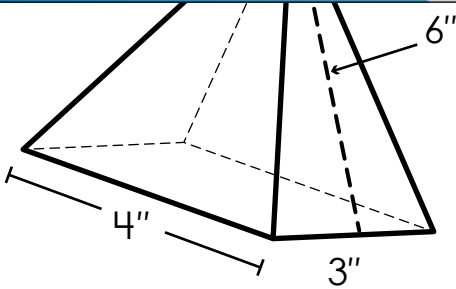
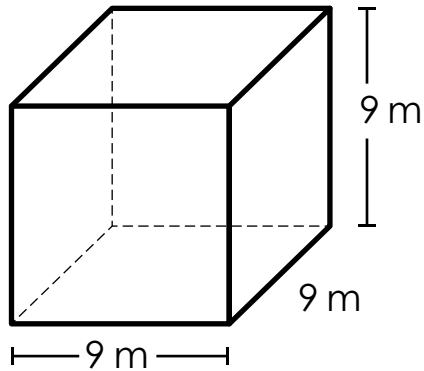


Name: \_\_\_\_\_

## Surface Area of Prisms and Pyramids

Find the surface area. Show your work and label your answer.

c.

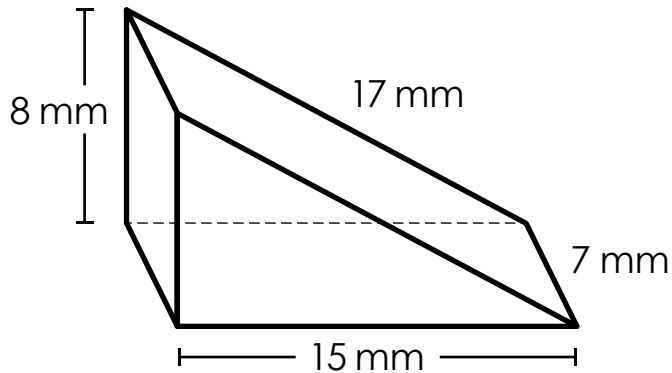


Name: \_\_\_\_\_

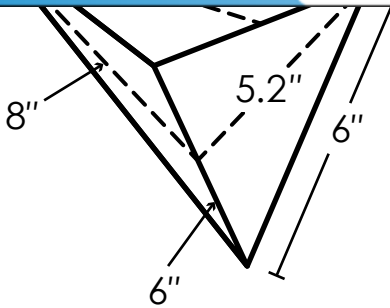
## Surface Area of Prisms and Pyramids

Find the surface area. Show your work and label your answer.

e.



**Preview**  
Please log in to download  
the printable version of this worksheet.



# ANSWER KEY

## Surface Area of Prisms and Pyramids



# Preview

Please log in to download the printable version of this worksheet.



1 side  
 $\square$  8  
 7  
 $A = l \times w$   
 $A = 7 \times 8$   
 $A = 56$

$A = l \times w$     $A = l \times w$     $A = \frac{1}{2} \times b \times h$   
 $A = 15 \times 7$     $A = 17 \times 7$     $A = \frac{1}{2} \times 15 \times 8$   
 $A = 105$     $A = 119$     $A = 60$   
 $\quad \quad \quad \quad \quad \times 2$   
 $\quad \quad \quad \quad \quad \underline{120}$

$56 + 105 + 119 + 120 = 400 \text{ mm}^2$

$A = \frac{1}{2} \times b \times h$     $A = \frac{1}{2} \times b \times h$   
 $A = \frac{1}{2} \times 6 \times 5.2$     $A = \frac{1}{2} \times 6 \times 8$   
 $A = 15.6$     $A = 24$   
 $\quad \quad \quad \quad \quad \times 3$   
 $\quad \quad \quad \quad \quad \underline{72}$   
 $15.6 + 72 = 87.6 \text{ in}^2$