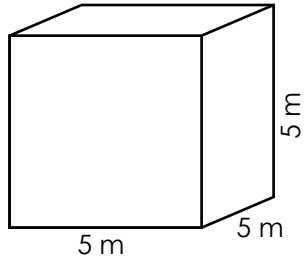


Name: _____

Surface Area

Find the surface area of the following figures.



Work Space

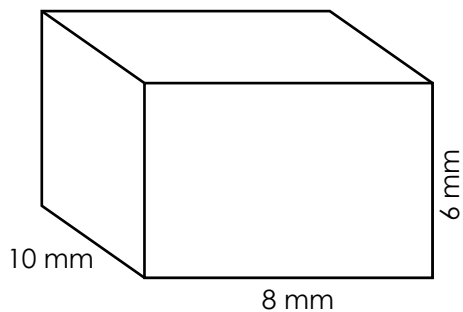
surface area = _____



~ PREVIEW ~

Please log in or register to download the printable version of this worksheet.

surface area = _____

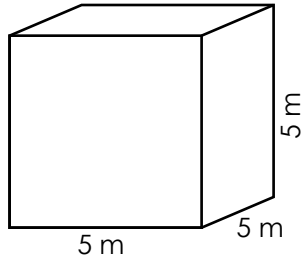


surface area = _____

ANSWER KEY

Surface Area

Find the surface area of the following figures.



Work Space

$$\begin{array}{r} 5 \text{ m} \times 5 \text{ m} = 25 \text{ m}^2 \\ 5 \text{ m} \times 5 \text{ m} = 25 \text{ m}^2 \\ 5 \text{ m} \times 5 \text{ m} = 25 \text{ m}^2 \\ 5 \text{ m} \times 5 \text{ m} = 25 \text{ m}^2 \\ 5 \text{ m} \times 5 \text{ m} = 25 \text{ m}^2 \\ 5 \text{ m} \times 5 \text{ m} = 25 \text{ m}^2 \\ \hline + 25 \text{ m}^2 \\ \hline 150 \text{ m}^2 \end{array}$$



~ PREVIEW ~

Please log in or register to download
the printable version of this worksheet.

surface area = 150 m²