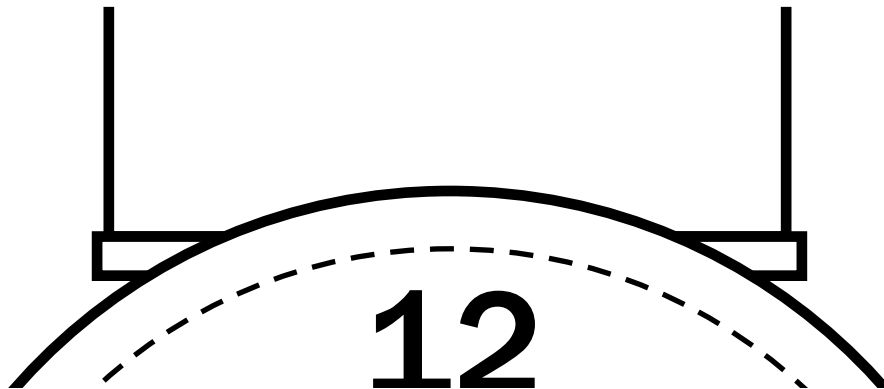


Name: _____

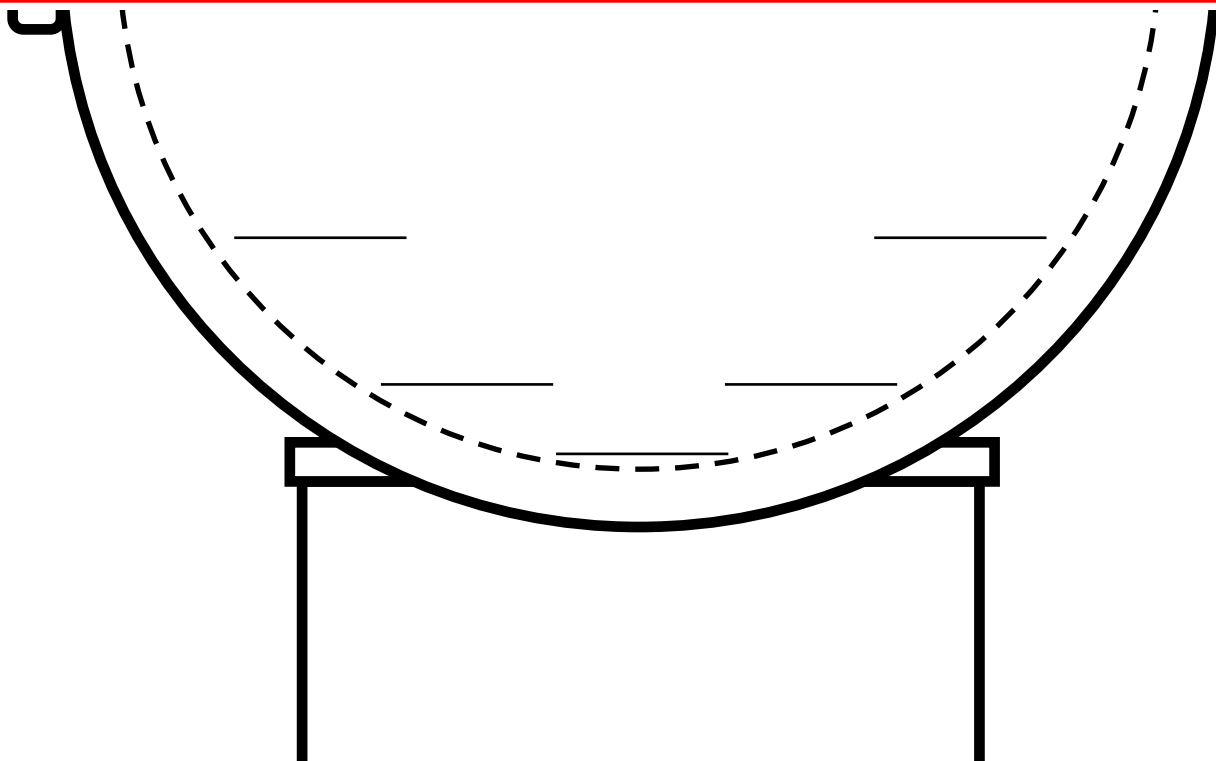
Clocks

Write the numbers on the clock. Draw the minute hand to twelve. Draw the hour hand to five.



~ PREVIEW ~

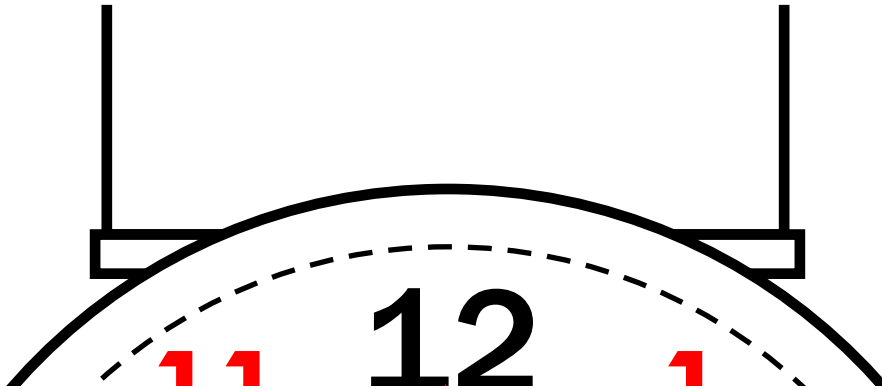
Please log in or register to download the printable version of this worksheet.



ANSWER KEY

Clocks

Write the numbers on the clock. Draw the minute hand to twelve. Draw the hour hand to five.



~ PREVIEW ~

Please log in or register to download the printable version of this worksheet.

