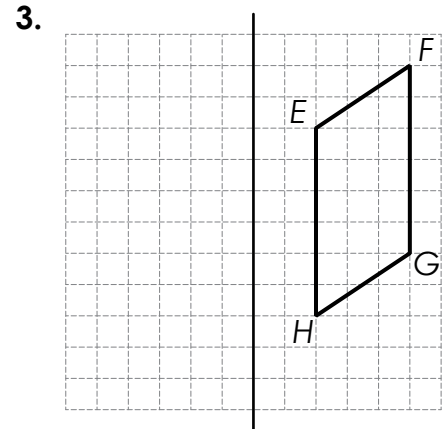
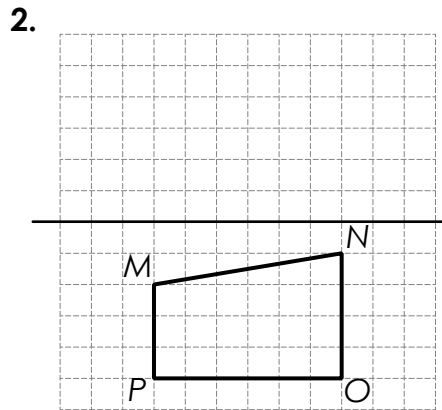
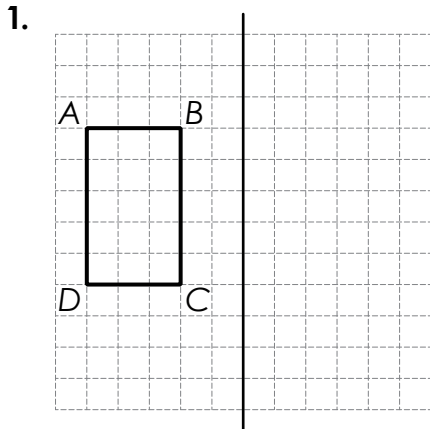


Name: _____

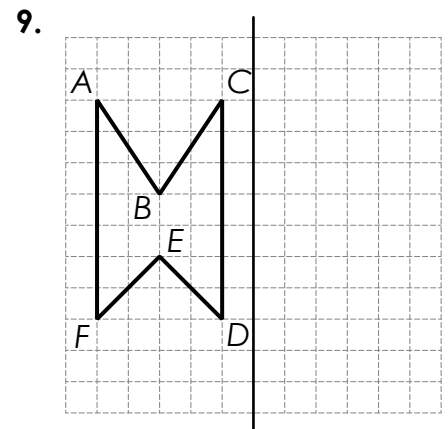
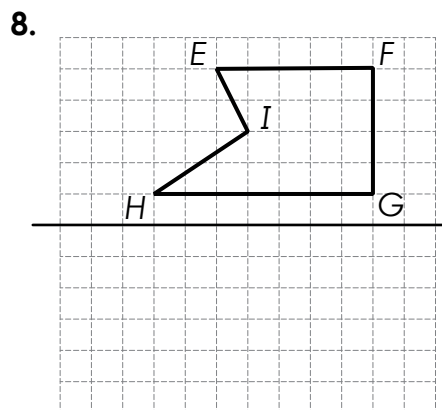
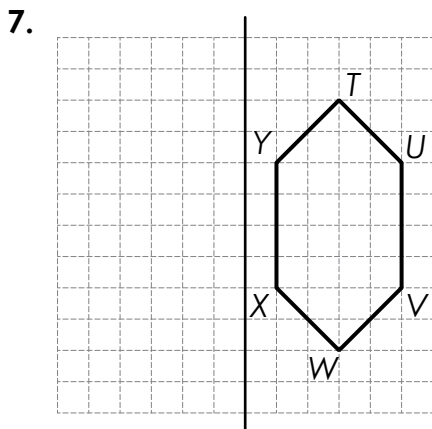
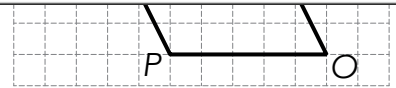
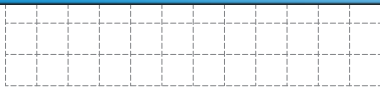
Reflection

Graph and label the image of the given figure across the reflection line.



Preview

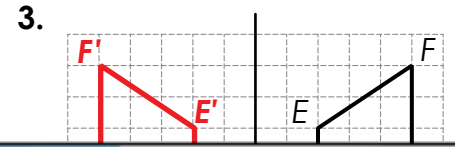
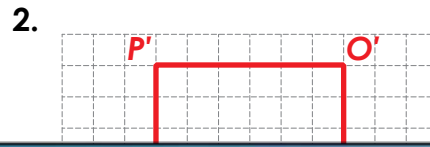
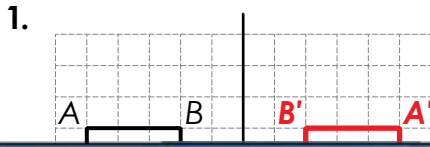
Please log in to download the printable version of this worksheet.



ANSWER KEY

Reflection

Graph and label the image of the given figure across the reflection line.



Preview

Please log in to download the printable version of this worksheet.

