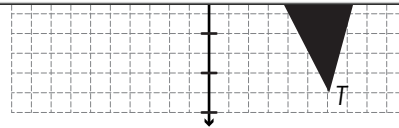
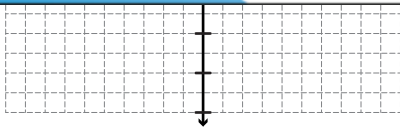
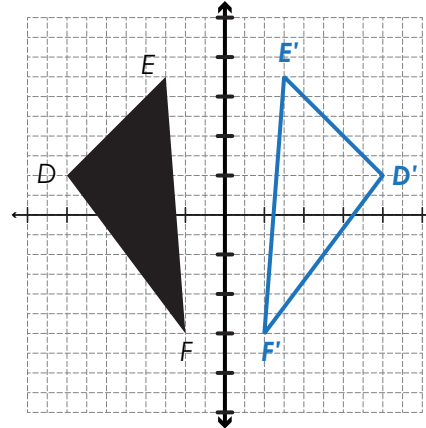
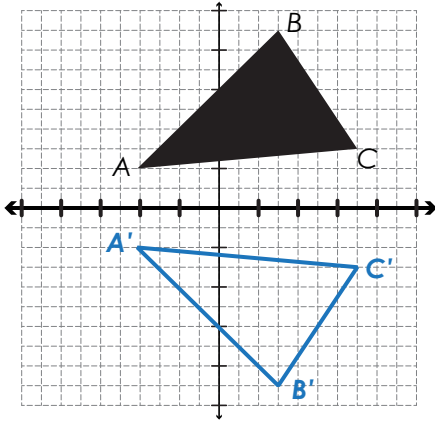


Name: _____

Transformations

Reflection

The mirror image of a geometric object over the x- or y-axis.



Rotation

Rotating a geometric object clockwise or counter-clockwise from a fixed point.

