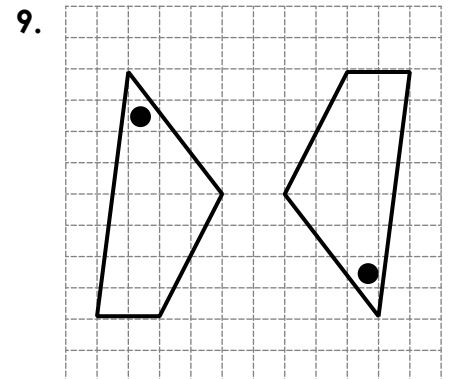
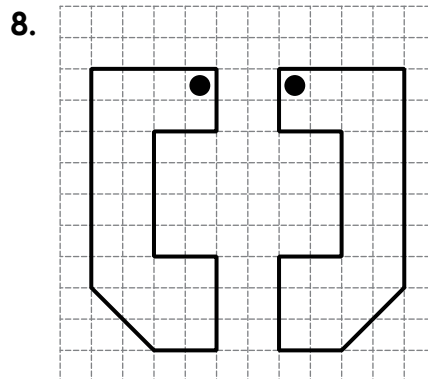
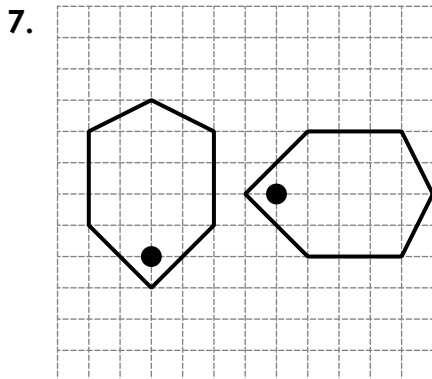
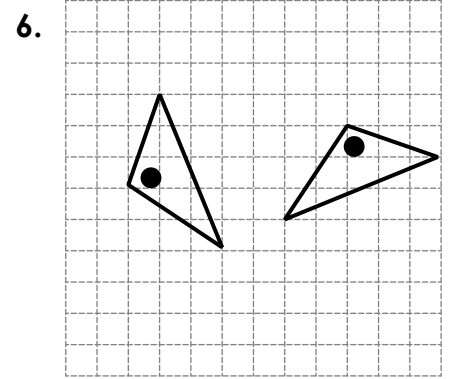
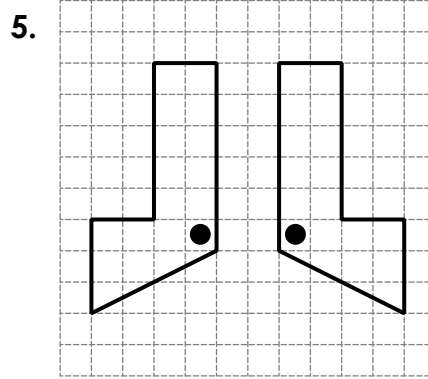
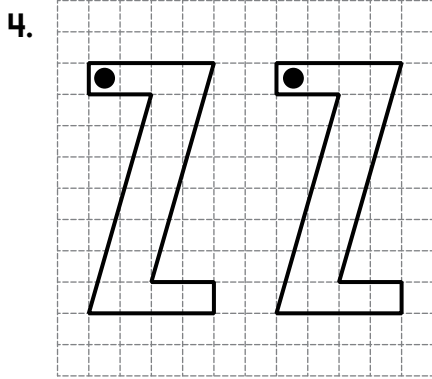
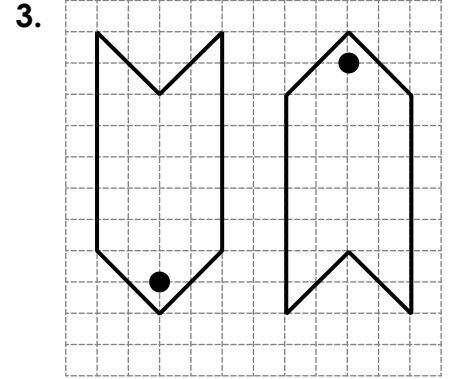
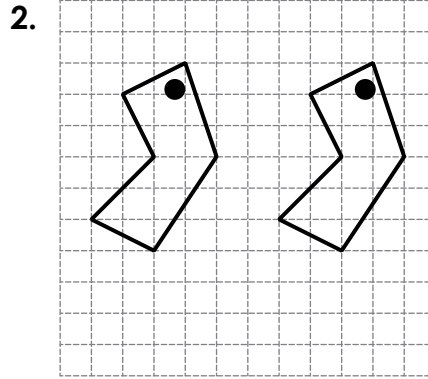
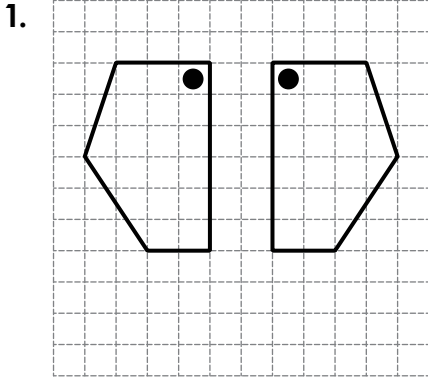


Name: \_\_\_\_\_

# Transformations

Translation, Rotation, Reflection

Tell how each figure was moved. Write *translation*, *rotation*, or *reflection*.

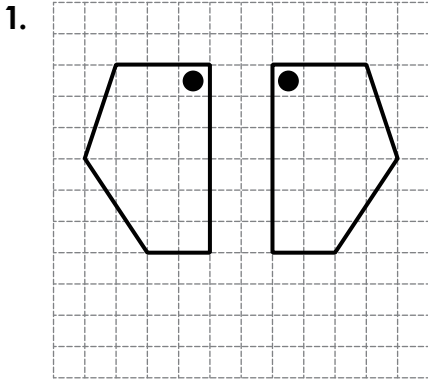


# ANSWER KEY

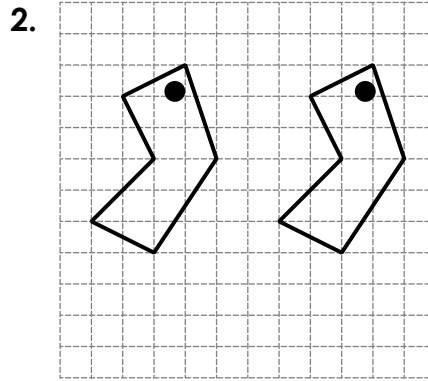
## Transformations

Translation, Rotation, Reflection

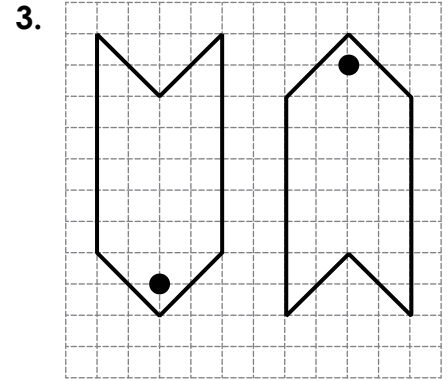
Tell how each figure was moved. Write *translation*, *rotation*, or *reflection*.



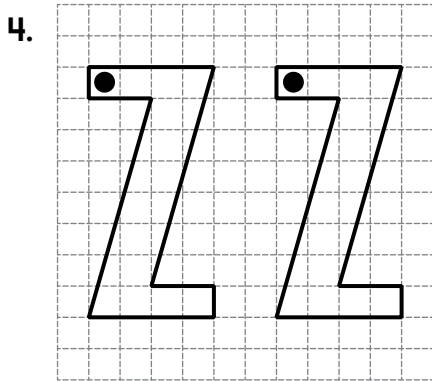
**reflection**



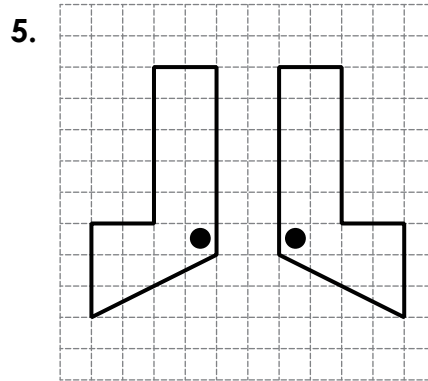
**translation**



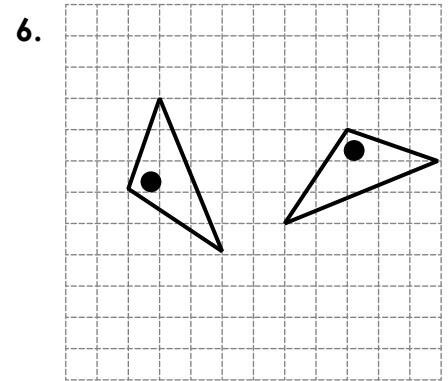
**rotation**



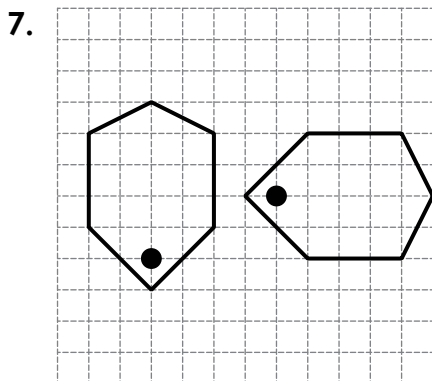
**translation**



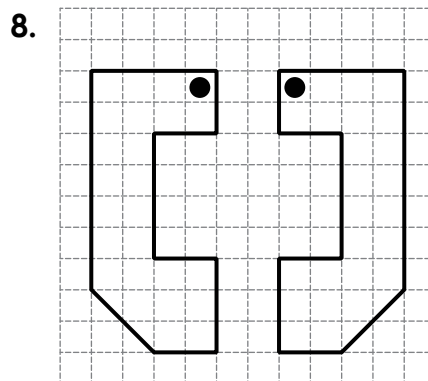
**reflection**



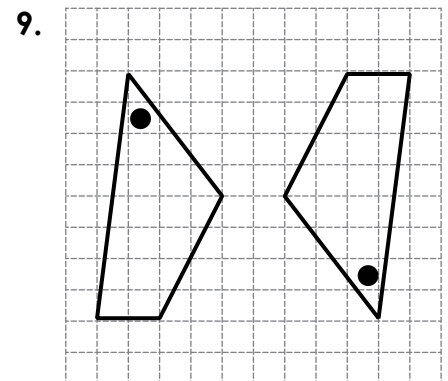
**rotation**



**rotation**



**reflection**



**rotation**