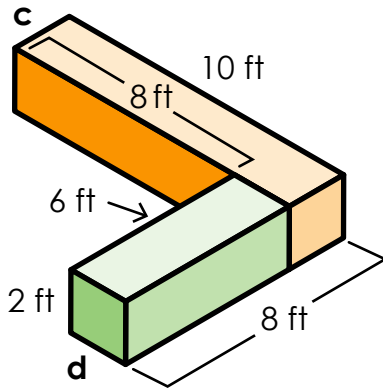


1.

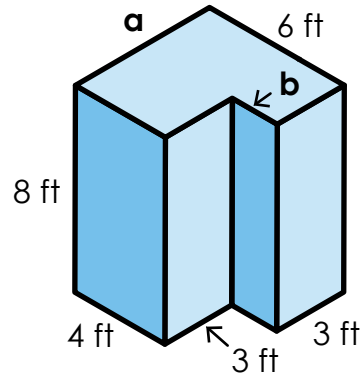
Volume of Composite Figures

Find the missing lengths and volume of each rectangular prism. Then add to find the volume of the entire figure.

**2.**

Volume of Composite Figures

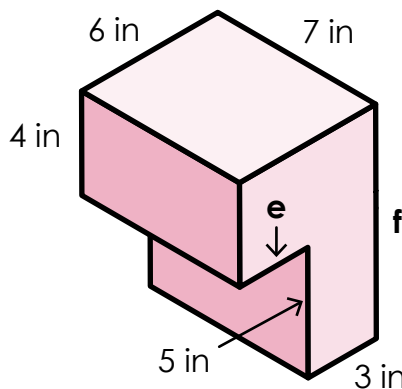
Find the missing lengths and the volume of each solid figure.



Preview

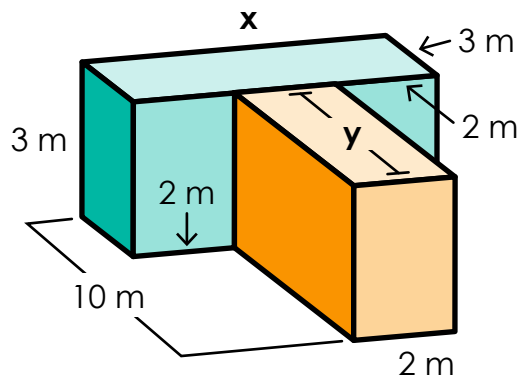
Please log in to download the printable version of this worksheet.

Find the missing lengths and the volume of each solid figure.



Remember to include the units in your answer.

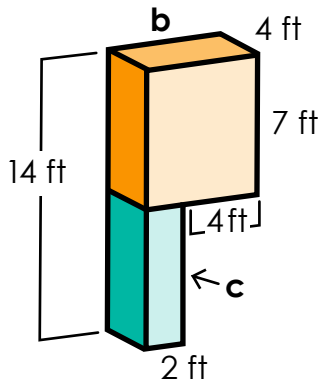
Find the missing lengths and volume of each rectangular prism. Then add to find the volume of the entire figure.



Remember to include the units in your answer.

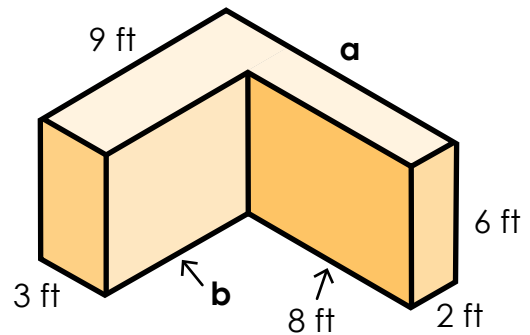
5. Volume of Composite Figures

Find the missing lengths and volume of each rectangular prism. Then add to find the volume of the entire figure.



6. Volume of Composite Figures

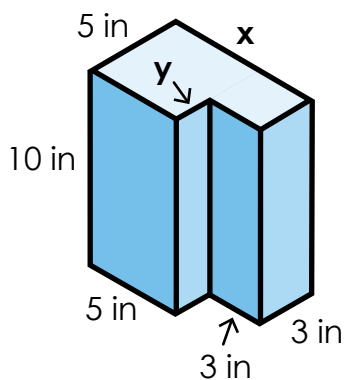
Find the missing lengths and the volume of each solid figure.



Preview

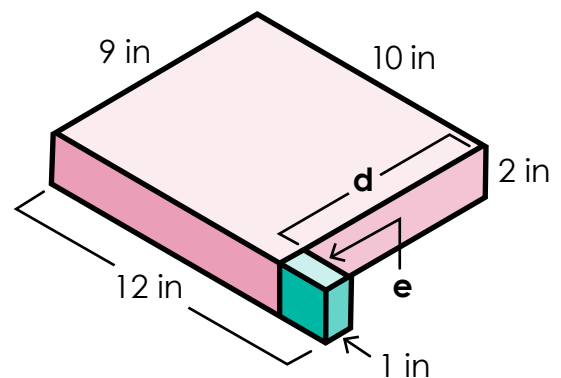
Please log in to download the printable version of this worksheet.

Find the missing lengths and the volume of each solid figure.



Remember to include the units in your answer.

Find the missing lengths and volume of each rectangular prism. Then add to find the volume of the entire figure.

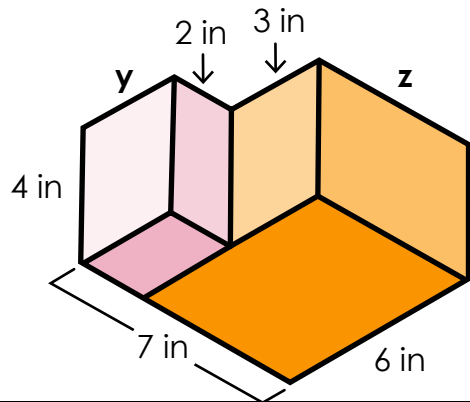


Remember to include the units in your answer.

9.

Volume of Composite Figures

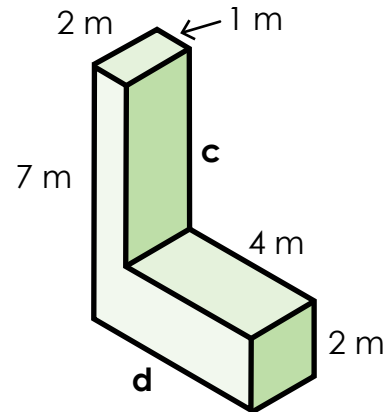
Find the missing lengths and volume of each rectangular prism. Then add to find the volume of the entire figure.



10.

Volume of Composite Figures

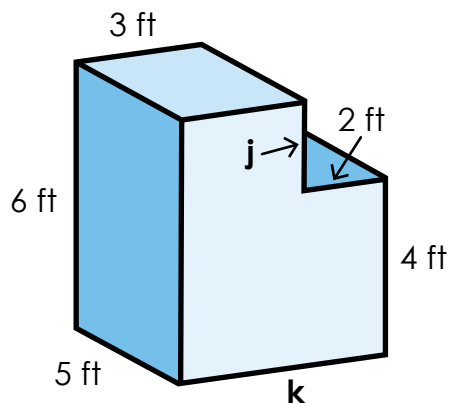
Find the missing lengths and the volume of each solid figure.



Preview

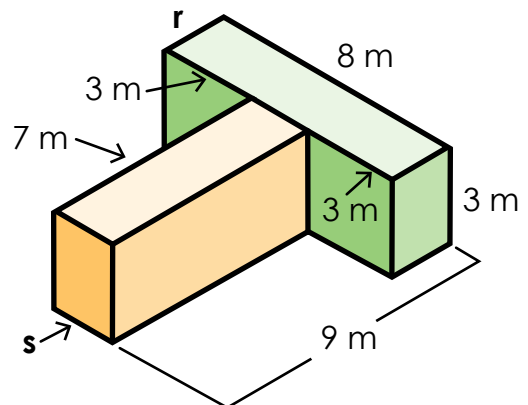
Please log in to download the printable version of this worksheet.

Find the missing lengths and the volume of each solid figure.



Remember to include the units in your answer.

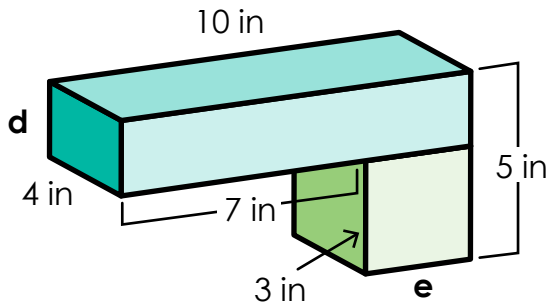
Find the missing lengths and volume of each rectangular prism. Then add to find the volume of the entire figure.



Remember to include the units in your answer.

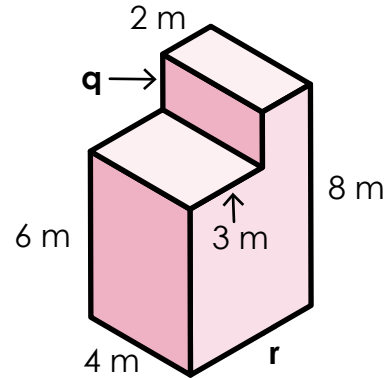
13. Volume of Composite Figures

Find the missing lengths and volume of each rectangular prism. Then add to find the volume of the entire figure.



14. Volume of Composite Figures

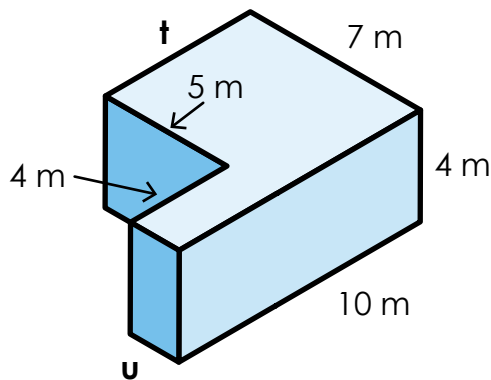
Find the missing lengths and the volume of each solid figure.



Preview

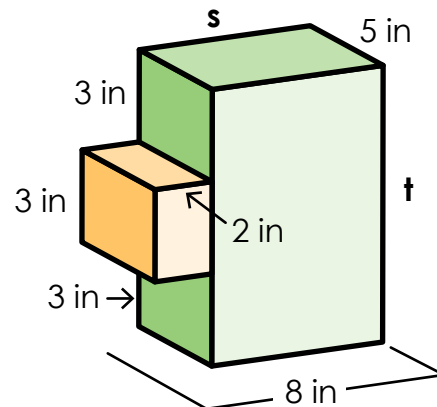
Please log in to download the printable version of this worksheet.

Find the missing lengths and the volume of each solid figure.



Remember to include the units in your answer.

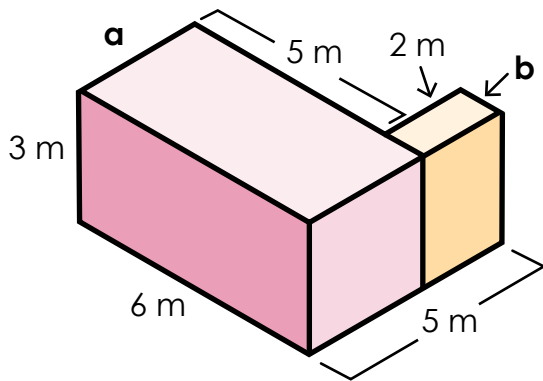
Find the missing lengths and volume of each rectangular prism. Then add to find the volume of the entire figure.



Remember to include the units in your answer.

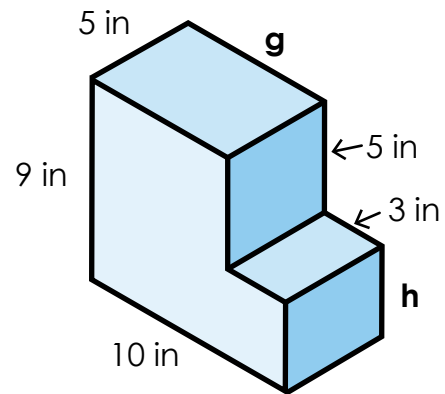
17. Volume of Composite Figures

Find the missing lengths and volume of each rectangular prism. Then add to find the volume of the entire figure.



18. Volume of Composite Figures

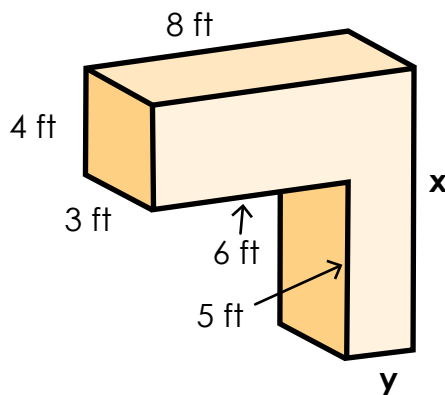
Find the missing lengths and the volume of each solid figure.



Preview

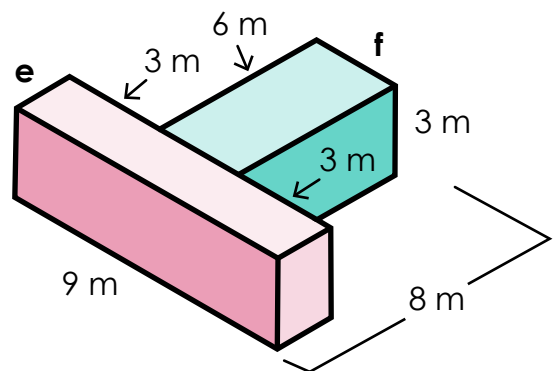
Please log in to download the printable version of this worksheet.

Find the missing lengths and the volume of each solid figure.



Remember to include the units in your answer.

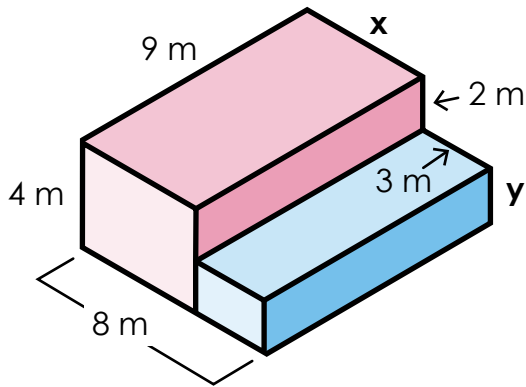
Find the missing lengths and volume of each rectangular prism. Then add to find the volume of the entire figure.



Remember to include the units in your answer.

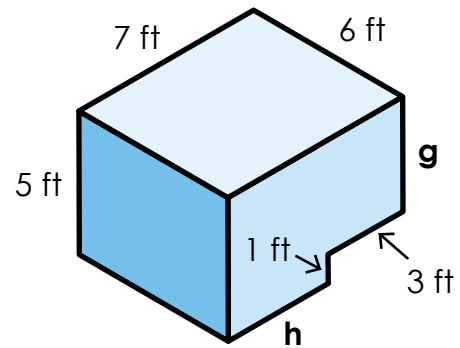
21. Volume of Composite Figures

Find the missing lengths and volume of each rectangular prism. Then add to find the volume of the entire figure.



22. Volume of Composite Figures

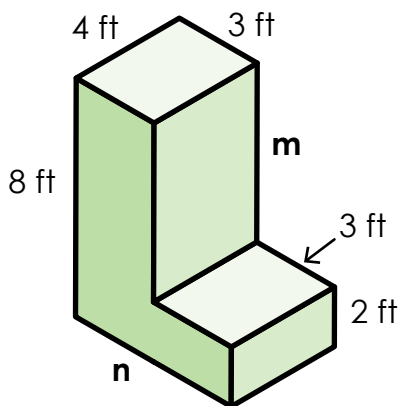
Find the missing lengths and the volume of each solid figure.



Preview

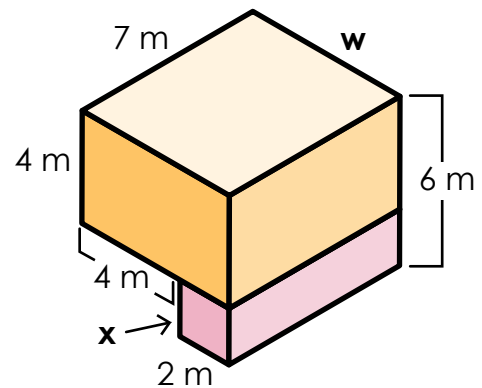
Please log in to download the printable version of this worksheet.

Find the missing lengths and the volume of each solid figure.



Remember to include the units in your answer.

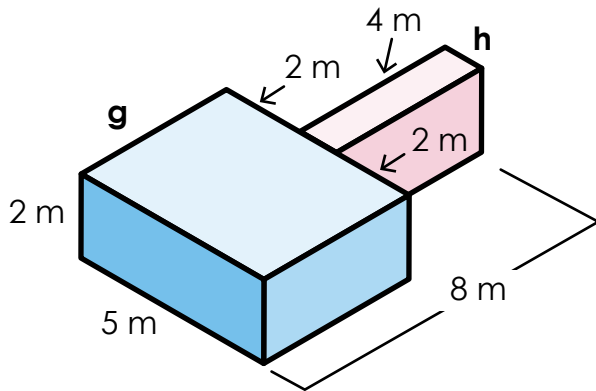
Find the missing lengths and volume of each rectangular prism. Then add to find the volume of the entire figure.



Remember to include the units in your answer.

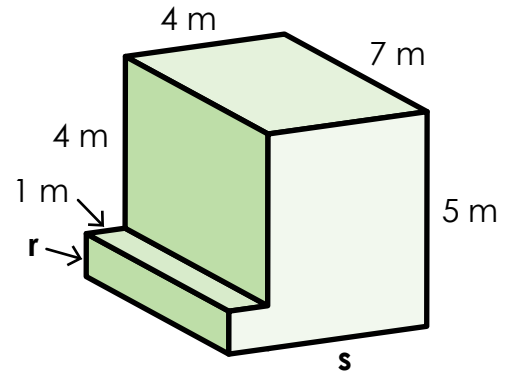
25. Volume of Composite Figures

Find the missing lengths and volume of each rectangular prism. Then add to find the volume of the entire figure.



26. Volume of Composite Figures

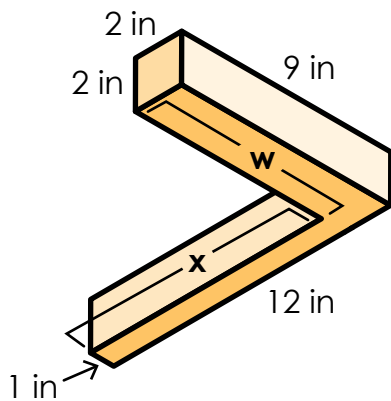
Find the missing lengths and the volume of each solid figure.



Preview

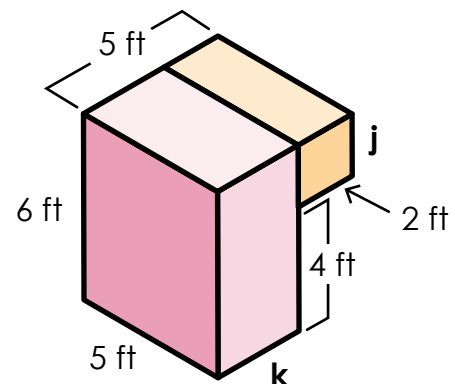
Please log in to download the printable version of this worksheet.

Find the missing lengths and the volume of each solid figure.



Remember to include the units in your answer.

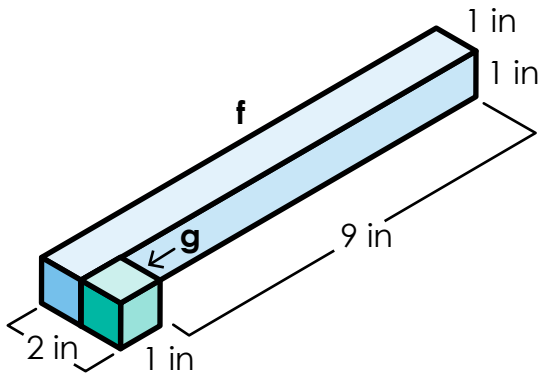
Find the missing lengths and volume of each rectangular prism. Then add to find the volume of the entire figure.



Remember to include the units in your answer.

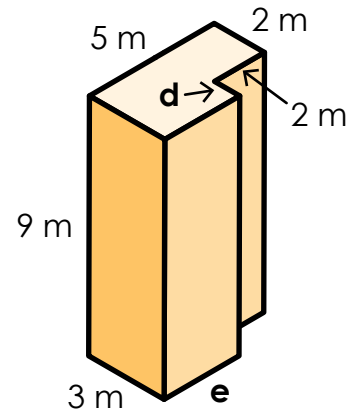
29. Volume of Composite Figures

Find the missing lengths and volume of each rectangular prism. Then add to find the volume of the entire figure.



30. Volume of Composite Figures

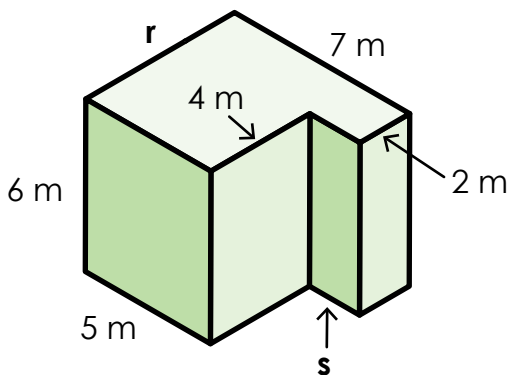
Find the missing lengths and the volume of each solid figure.



Preview

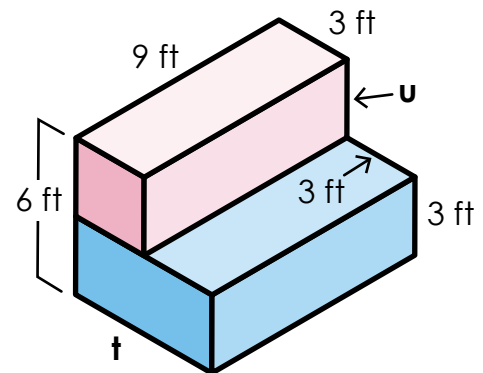
Please log in to download the printable version of this worksheet.

Find the missing lengths and the volume of each solid figure.



Remember to include the units in your answer.

Find the missing lengths and volume of each rectangular prism. Then add to find the volume of the entire figure.



Remember to include the units in your answer.

Name: _____

Task Cards: Volume of Composite Figures

1. $c = \underline{\quad}$ $d = \underline{\quad}$

2. $a = \underline{\quad}$ $b = \underline{\quad}$

3. $e = \underline{\quad}$ $f = \underline{\quad}$

4. $x = \underline{\quad}$ $y = \underline{\quad}$

Preview

Please log in to download
the printable version of this worksheet.



Task Cards: Volume of Composite Figures

17. $a = \underline{\quad}$ $b = \underline{\quad}$

18. $g = \underline{\quad}$ $h = \underline{\quad}$

19. $x = \underline{\quad}$ $y = \underline{\quad}$

20. $e = \underline{\quad}$ $f = \underline{\quad}$

Preview

Please log in to download
the printable version of this worksheet.



ANSWER KEY

Task Cards: Volume of Composite Figures

1. $c = 2$ $d = 2$

$$2 \times 2 \times 10 = 40 \text{ ft}^3$$

$$2 \times 2 \times 6 = 24 \text{ ft}^3$$

$$40 + 24 = 64 \text{ ft}^3$$

2. $a = 6$ $b = 2$



$$4 \times 6 \times 8 = 192 \text{ ft}^3$$

$$2 \times 3 \times 8 = 48 \text{ ft}^3$$

$$192 + 48 = 240 \text{ ft}^3$$

3. $e = 3$ $f = 9$



$$4 \times 6 \times 7 = 168 \text{ in}^3$$

$$3 \times 5 \times 7 = 105 \text{ in}^3$$

$$168 + 105 = 273 \text{ in}^3$$

4. $x = 6$ $y = 7$

$$3 \times 3 \times 6 = 54 \text{ m}^3$$

$$2 \times 3 \times 7 = 42 \text{ m}^3$$

$$54 + 42 = 96 \text{ m}^3$$

Preview

Please log in to download
the printable version of this worksheet.



$$80 + 36 = 116 \text{ in}^3$$

$$72 + 64 = 136 \text{ m}^3$$

or



$$2 \times 2 \times 4 = 16 \text{ m}^3$$

$$4 \times 5 \times 6 = 120 \text{ m}^3$$

$$16 + 120 = 136 \text{ m}^3$$



$$32 + 168 = 200 \text{ m}^3$$

or

$$2 \times 4 \times 10 = 80 \text{ m}^3$$

$$4 \times 5 \times 6 = 120 \text{ m}^3$$

$$80 + 120 = 200 \text{ m}^3$$

$$30 + 270 = 300 \text{ in}^3$$

ANSWER KEY

Task Cards: Volume of Composite Figures

17. $a = 3$ $b = 1$

$$3 \times 3 \times 6 = 54 \text{ m}^3$$

$$1 \times 2 \times 3 = 6 \text{ m}^3$$

$$54 + 6 = 60 \text{ m}^3$$

18. $g = 7$ $h = 4$

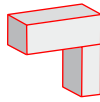


$$5 \times 7 \times 9 = 315 \text{ in}^3$$

$$3 \times 4 \times 5 = 60 \text{ in}^3$$

$$315 + 60 = 375 \text{ in}^3$$

19. $x = 9$ $y = 2$



$$3 \times 4 \times 8 = 96 \text{ ft}^3$$

$$2 \times 3 \times 5 = 30 \text{ ft}^3$$

$$96 + 30 = 126 \text{ ft}^3$$

20. $e = 2$ $f = 3$

$$2 \times 3 \times 9 = 54 \text{ m}^3$$

$$3 \times 3 \times 6 = 54 \text{ m}^3$$

$$54 + 54 = 108 \text{ m}^3$$

Preview

Please log in to download
the printable version of this worksheet.



$$10 + 1 = 11 \text{ in}^3$$

or



$$2 \times 5 \times 9 = 90 \text{ m}^3$$

$$1 \times 3 \times 9 = 27 \text{ m}^3$$

$$90 + 27 = 117 \text{ m}^3$$

or



$$5 \times 6 \times 6 = 180 \text{ m}^3$$

$$2 \times 2 \times 6 = 24 \text{ m}^3$$

$$180 + 24 = 204 \text{ m}^3$$

$$81 + 162 = 243 \text{ ft}^3$$