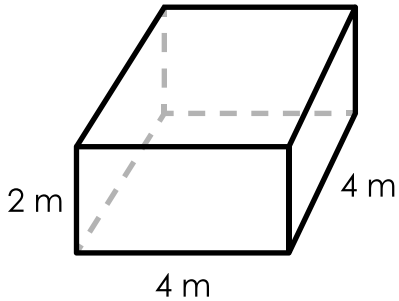


1.

Volume of Rectangular Prisms

Find the volume of the rectangular prism.

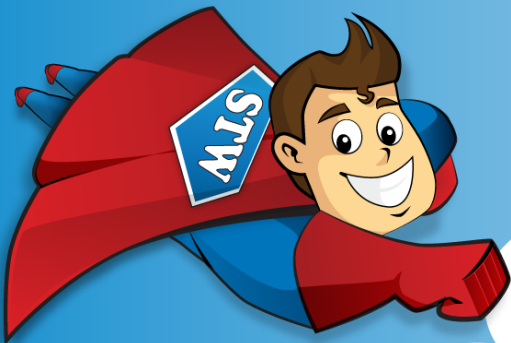


2.

Volume of Rectangular Prisms

A rectangular prism has a length of 8 cm, a width of 4 cm, and a volume of 64 cm^3 .

What is the height?



Preview

Please log in to download the printable version of this worksheet.

length = 1 mm

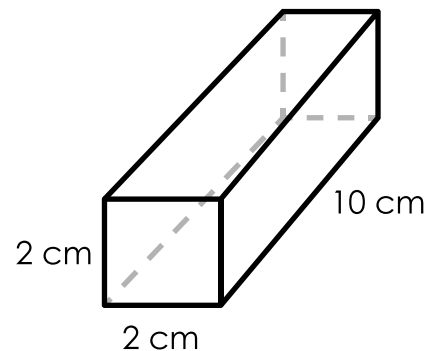
width = 3 mm

height = 5 mm

What is the volume?

Remember to include the units in your answer.

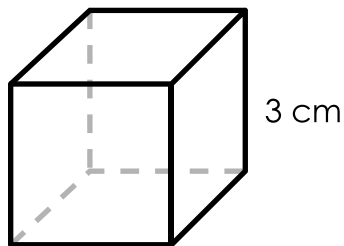
Find the volume of the rectangular prism.



Remember to include the units in your answer.

5. Volume of Rectangular Prisms

Find the volume of the cube.



6. Volume of Rectangular Prisms

length = 7 m

width = ?

height = 1 m

volume = 35 m^3

What is the width?



Preview

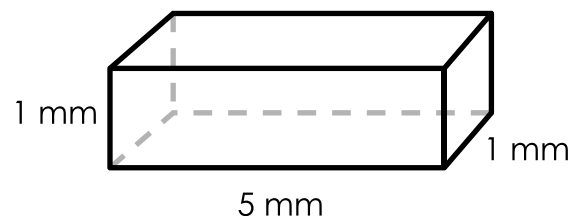
Please log in to download the printable version of this worksheet.

A rectangular prism has a length of 2 cm, a width of 6 cm, and a height of 4 cm.

What is the volume?

Remember to include the units in your answer.

Find the volume of the rectangular prism.

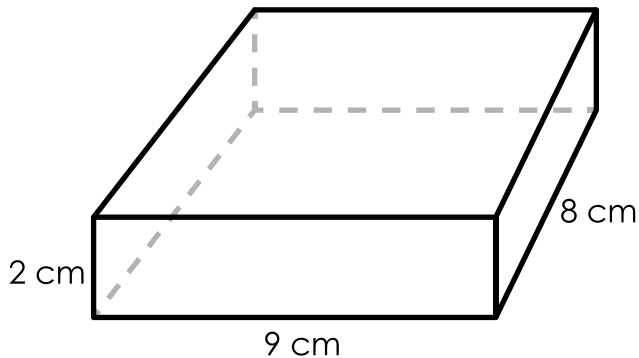


Remember to include the units in your answer.

9.

Volume of Rectangular Prisms

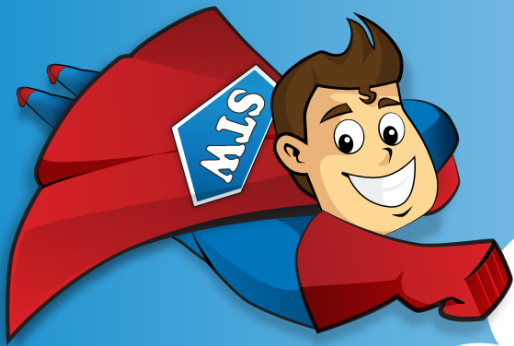
Find the volume of the rectangular prism.

**10.**

Volume of Rectangular Prisms

A rectangular prism has a length of 10 cm, a height of 3 cm, and a volume of 90 cm^3 .

What is the width?



Preview

Please log in to download the printable version of this worksheet.

length = 2 m

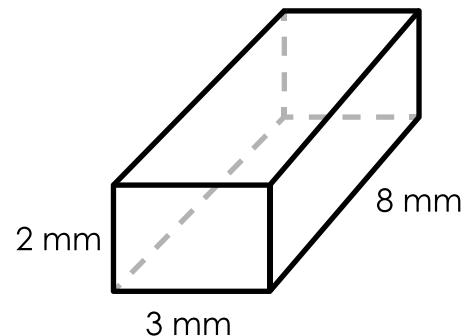
width = 4 m

height = 9 m

What is the volume?

Remember to include the units in your answer.

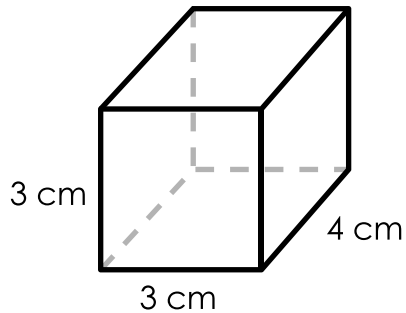
Find the volume of the rectangular prism.



Remember to include the units in your answer.

13. Volume of Rectangular Prisms

Find the volume of the rectangular prism.



14. Volume of Rectangular Prisms

length = ?

width = 5 mm

height = 5 mm

volume = 125 mm^3

What is the length?



Preview

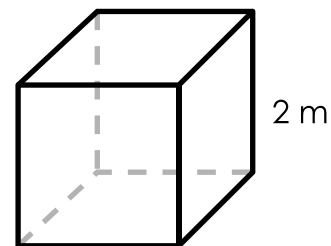
Please log in to download the printable version of this worksheet.

A rectangular prism has a length of 3 m, a width of 7 m, and a height of 3 m.

What is the volume?

Remember to include the units in your answer.

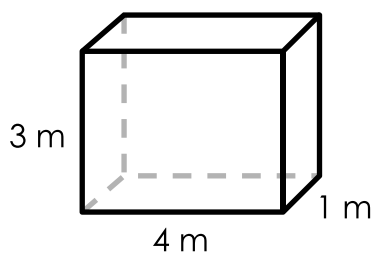
Find the volume of the cube.



Remember to include the units in your answer.

17. Volume of Rectangular Prisms

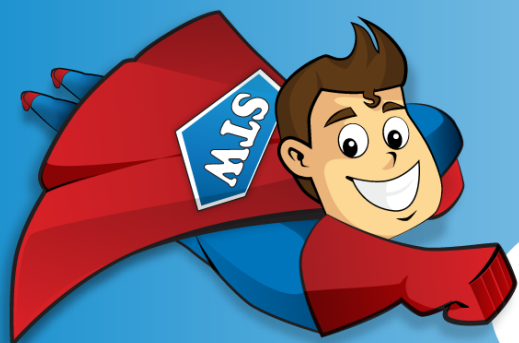
Find the volume of the rectangular prism.



18. Volume of Rectangular Prisms

A rectangular prism has a width of 2 cm, a height of 2 cm, and a volume of 32 cm^3 .

What is the length?



Preview

Please log in to download the printable version of this worksheet.

length = 3 mm

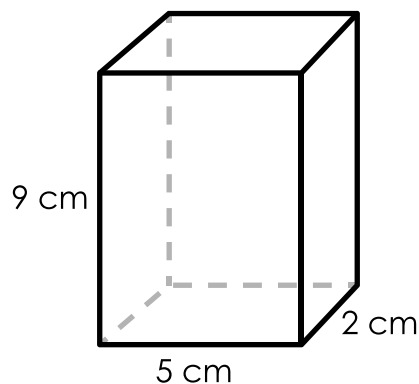
width = 11 mm

height = 3 mm

What is the volume?

Remember to include the units in your answer.

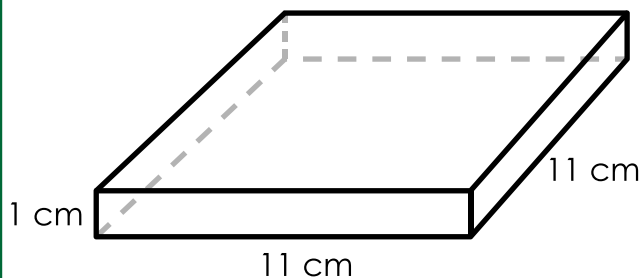
Find the volume of the rectangular prism.



Remember to include the units in your answer.

21. Volume of Rectangular Prisms

Find the volume of the rectangular prism.



22. Volume of Rectangular Prisms

length = 4 m

width = 1 m

height = ?

volume = 8 m^3

What is the height?



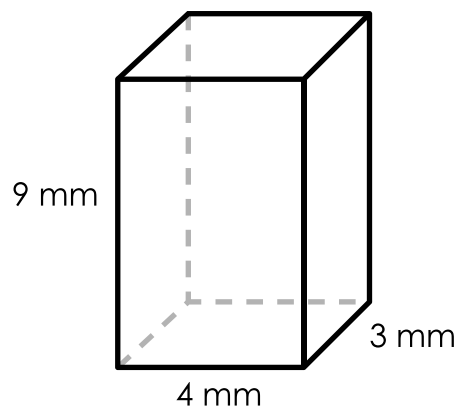
Preview

Please log in to download the printable version of this worksheet.

A rectangular prism has a length of 2 cm, a width of 9 cm, and a height of 2 cm.
What is the volume?

Remember to include the units in your answer.

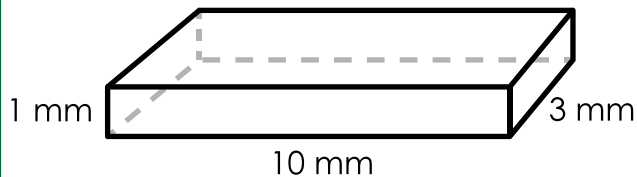
Find the volume of the rectangular prism.



Remember to include the units in your answer.

25. Volume of Rectangular Prisms

Find the volume of the rectangular prism.



26. Volume of Rectangular Prisms

A rectangular prism has a length of 8 cm, a height of 4 cm, and a volume of 96 cm^3 .

What is the width?



Preview

Please log in to download the printable version of this worksheet.

length = 12 m

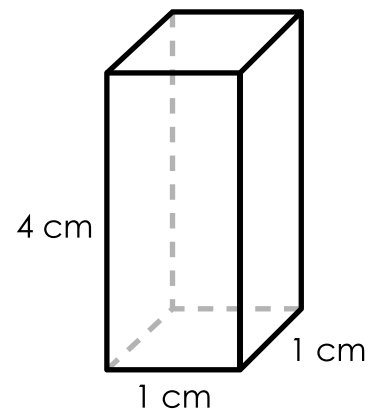
width = 2 m

height = 2 m

What is the volume?

Remember to include the units in your answer.

Find the volume of the rectangular prism.



Remember to include the units in your answer.

29. Volume of Rectangular Prisms

Find the volume of the rectangular prism.

30. Volume of Rectangular Prisms

length = 7 m

width = ?



Preview

Please log in to download the printable version of this worksheet.

Remember to include the units in your answer.

Remember to include the units in your answer.

Name: _____

Task Cards: Volume of Rectangular Prisms

1.	2.	3.	4.	5.
----	----	----	----	----

Preview

Please log in to download
the printable version of this worksheet.



--	--	--	--	--

ANSWER KEY

Task Cards: Volume of Rectangular Prisms

1.

2.

3.

4.

5.

Preview

Please log in to download
the printable version of this worksheet.



Task Cards: Volume of Rectangular Prisms

This file contains 30 task cards.

There are countless ways to use task cards in your classroom.
Here are a few ideas:

Preview

*Please log in to download
the printable version of this worksheet.*



Have a parent, friend, or volunteer sit with individual students who need extra help. They can practice by solving the problems on the task cards together.

ANSWER KEY

Task Cards: Volume of Rectangular Prisms

16.

17.

18.

19.

20.

Preview

Please log in to download
the printable version of this worksheet.



Task Cards: Volume of Rectangular Prisms

16.

17.

18.

19.

20.

Preview

Please log in to download
the printable version of this worksheet.

